

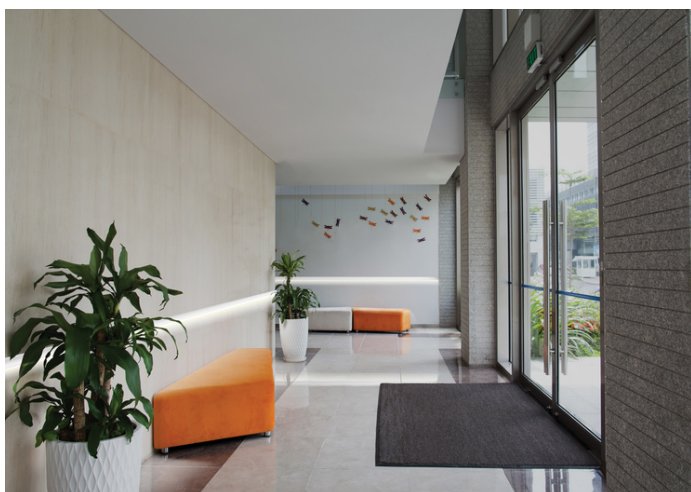
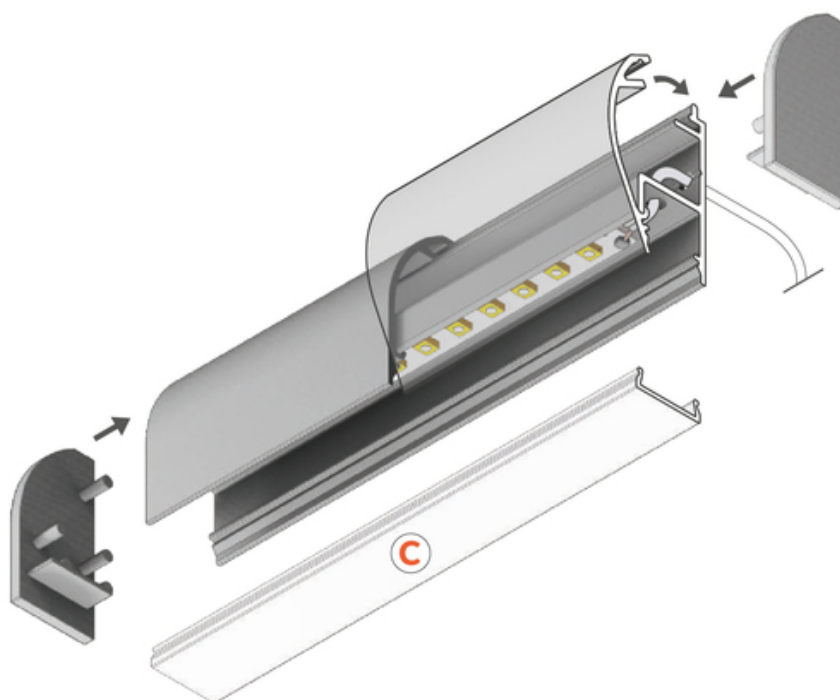
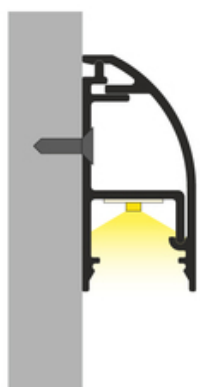
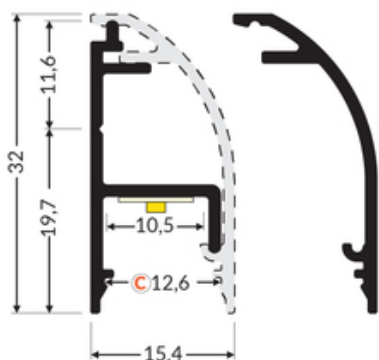


# (EOL) COVER WAY10 4050 WHITE PAINTED /PLASTIC BAG

	<ul style="list-style-type: none"><li>• strip for illuminating passageways</li><li>• dedicated for wall mounting</li><li>• hidden mounting and wiring</li><li>• curved shape</li></ul>	 <p>Buy product</p>
---	--	--

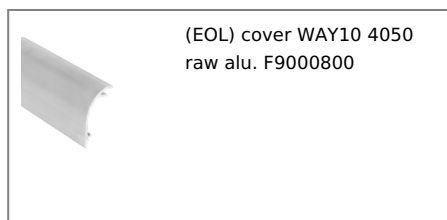
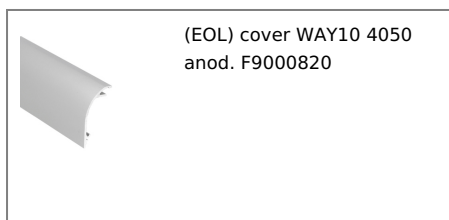




## Basic Informations

<p>EAN: 5901597257035 Index: F9000801 Material: aluminium Color: white painted Length [mm]: 4050 Weight [kg]: 0.696 Net weight [kg]: 0.02399999999999999 Country of origin: PL</p>	<p>Measurement unit: qty Product packaging dimensions [mm]: 4050 x 15,4 x 32 Bulk packing [qty]: 10 Master packaging type: Bulk Product with gross packaging weight [kg]: 6.96</p>
--	--

## AVAILABLE COLORS



## AVAILABLE VARIANTS

1000 mm, 2000 mm, 3000 mm, 4050 mm

## Matching elements

## END CAPS

