

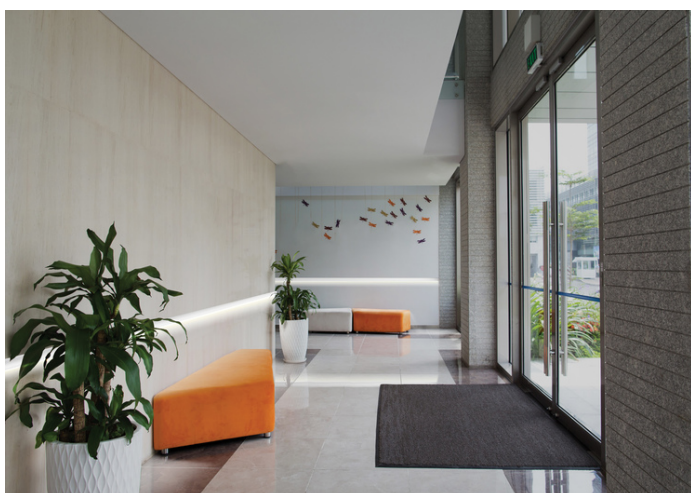
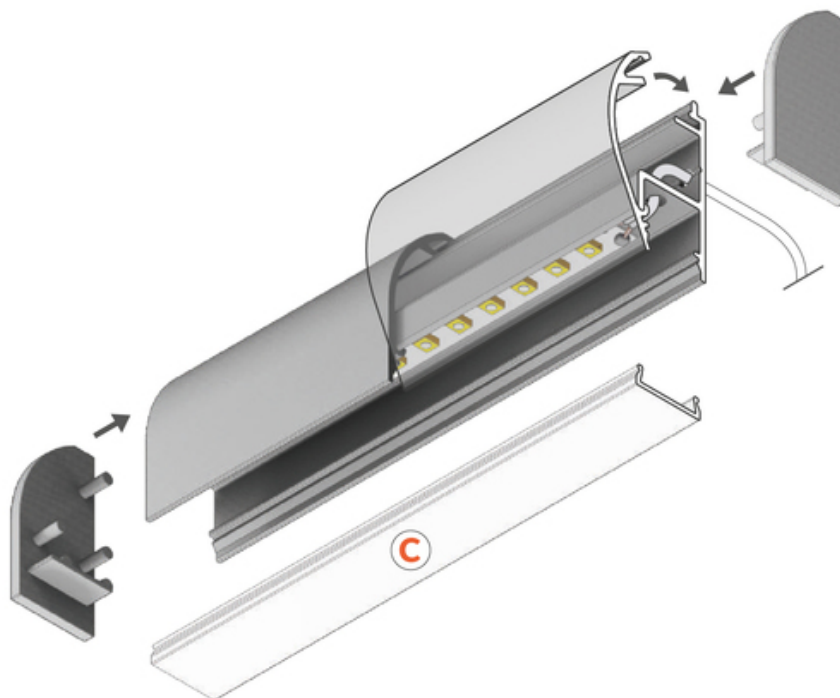
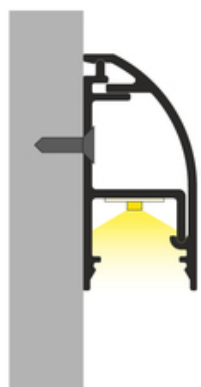
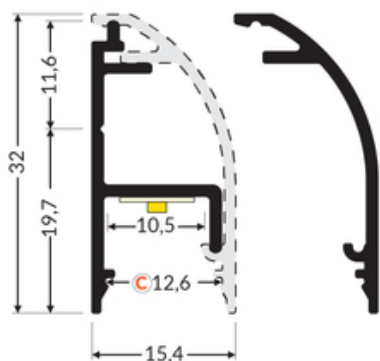


# (EOL) COVER WAY10 4050 BLACK PAINTED /PLASTIC BAG

	<ul style="list-style-type: none"><li>• strip for illuminating passageways</li><li>• dedicated for wall mounting</li><li>• hidden mounting and wiring</li><li>• curved shape</li></ul>	 <p>Buy product</p>
---	--	--





## Basic Informations

EAN: 5901597257042 Index: F9000802 Material: aluminium Lenght [mm]: 4050 Weigh [kg]t: 0.696 Net weight [kg]: 0.02399999999999999 Country of origin: PL	Measurement unit: qty Product packaging dimensions [mm]: 4050 x 15,4 x 32 Bulk packing [qty]: 10 Master packaging type: Bulk Product with gross packaging weight [kg]: 6.96
--	---

## AVAILABLE COLORS

 <p>(EOL) cover WAY10 4050 anod. F9000820</p>	 <p>(EOL) cover WAY10 4050 white painted /plastic bag F9000801</p>	 <p>(EOL) cover WAY10 4050 raw alu. F9000800</p>
--	---	---

## AVAILABLE VARIANTS

1000 mm, 2000 mm, 3000 mm, 4050 mm

## Matching elements

### END CAPS

 <p>(EOL) end cap WAY10 black [20pcs] index: F9009902</p>
--