

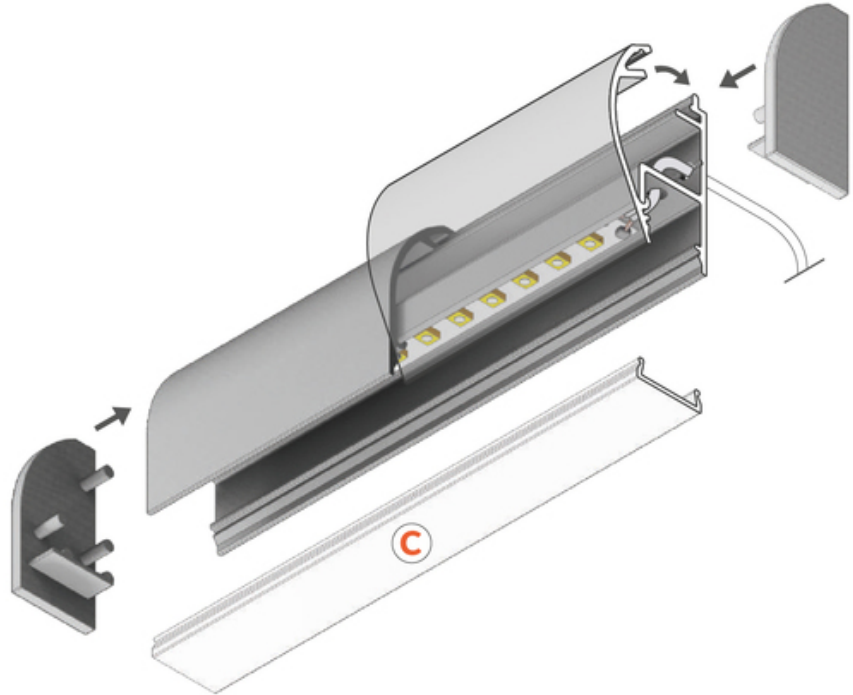
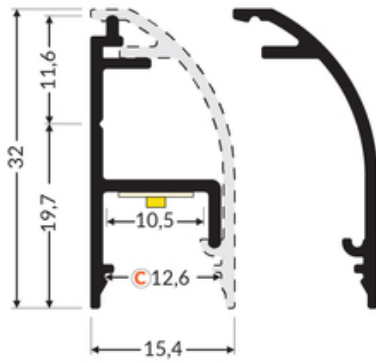
## (EOL) COVER WAY10 4050 ANOD.



- strip for illuminating passageways
- dedicated for wall mounting
- hidden mounting and wiring
- curved shape



Buy product








## Basic Informations

EAN: 5901597257059 Index: F9000820 Material: aluminium Color: anodized Length [mm]: 4050 Weight [kg]: 0.632 Country of origin: PL	Measurement unit: qty Product packaging dimensions [mm]: 4050 x 15,4 x 32 Bulk packing [qty]: 40 Master packaging type: Bulk Product with gross packaging weight [kg]: 25.28
---	--

## AVAILABLE COLORS

 <p>(EOL) cover WAY10 4050 white painted /plastic bag F9000801</p>	 <p>(EOL) cover WAY10 4050 raw alu. F9000800</p>	 <p>(EOL) cover WAY10 4050 black painted /plastic bag F9000802</p>
---	---	---

## AVAILABLE VARIANTS


1000 mm, 2000 mm, 3000 mm, 4050 mm

---

## Matching elements

---

## END CAPS

 <p>(EOL) end cap WAY10 grey [20pcs] index: F9009922</p>
---

---