

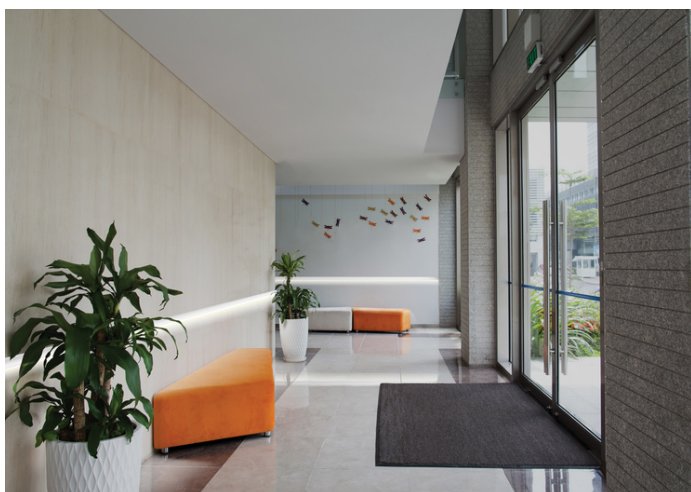
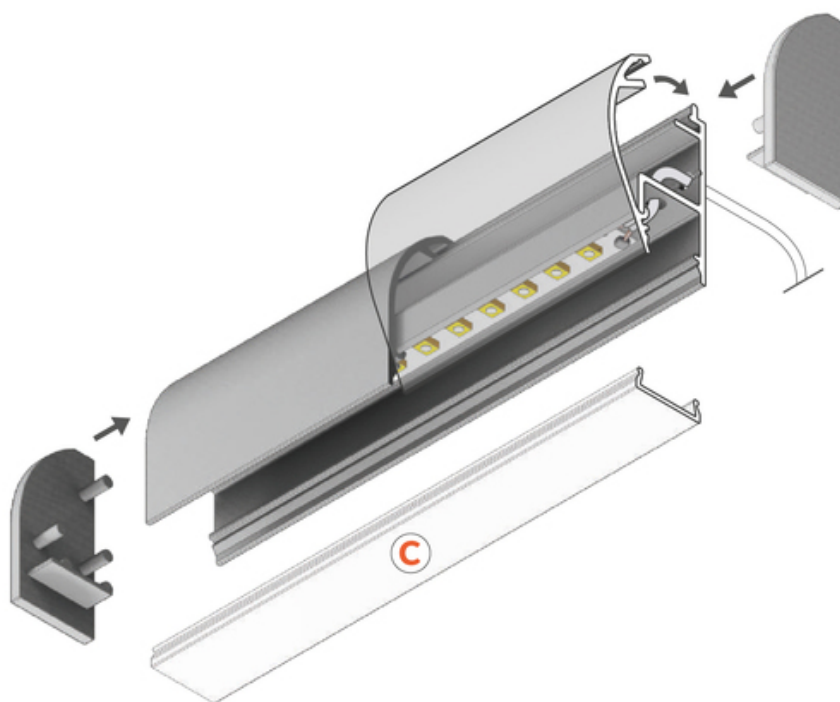
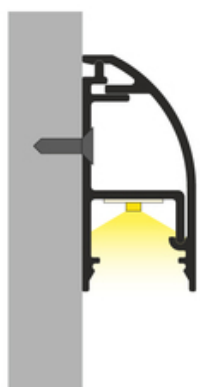
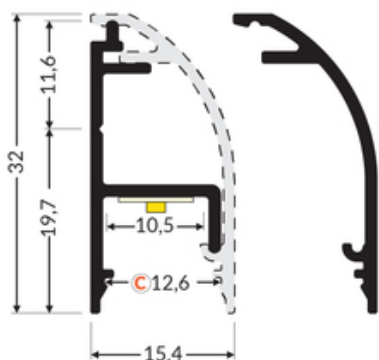


# (EOL) COVER WAY10 1000 WHITE PAINTED /PLASTIC BAG

	<ul style="list-style-type: none"><li>• strip for illuminating passageways</li><li>• dedicated for wall mounting</li><li>• hidden mounting and wiring</li><li>• curved shape</li></ul>	 <p>Buy product</p>
---	--	--

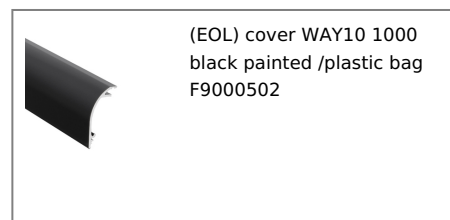
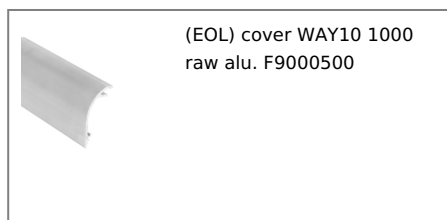
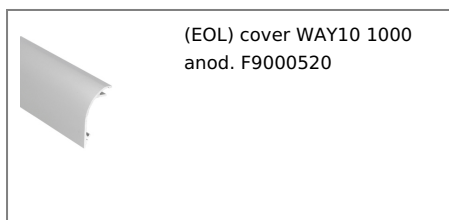




## Basic Informations

<p>EAN: 5901597256854 Index: F9000501 Material: aluminium Color: white painted Length [mm]: 1000 Weight [kg]: 0.172 Net weight [kg]: 0.005999999999999998 Country of origin: PL</p>	<p>Measurement unit: qty Product packaging dimensions [mm]: 1000 x 15,4 x 32 Bulk packing [qty]: 40 Master packaging type: Carton Product with gross packaging weight [kg]: 7.29</p>
---	--

## AVAILABLE COLORS



## AVAILABLE VARIANTS

1000 mm, 2000 mm, 3000 mm, 4050 mm

---

## Matching elements

---

## END CAPS

