

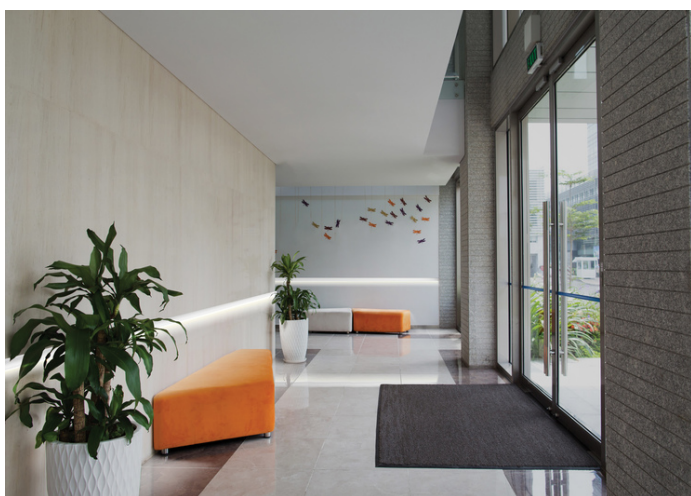
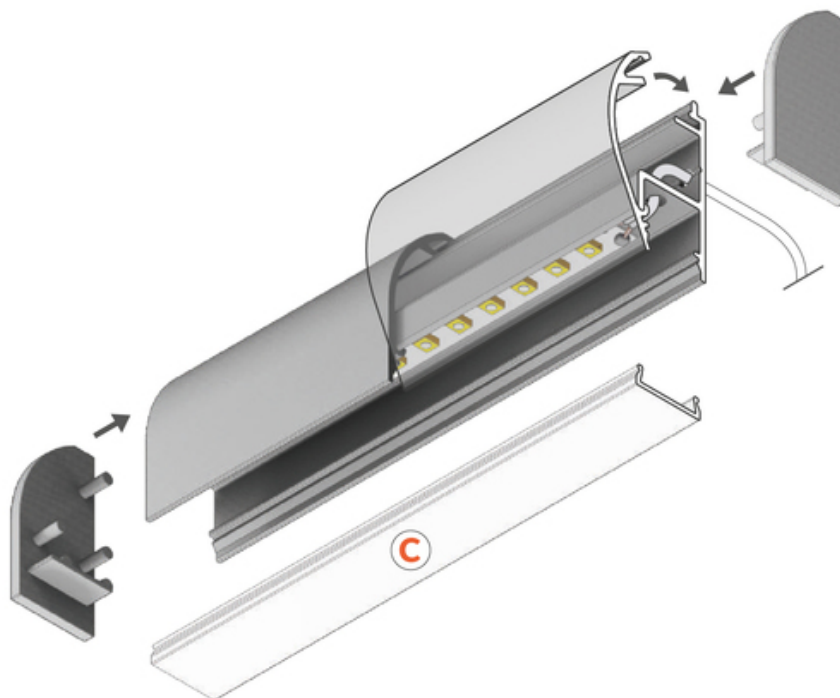
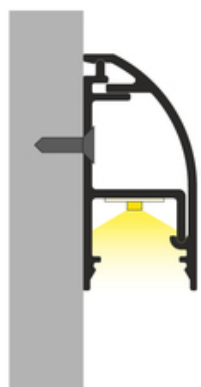
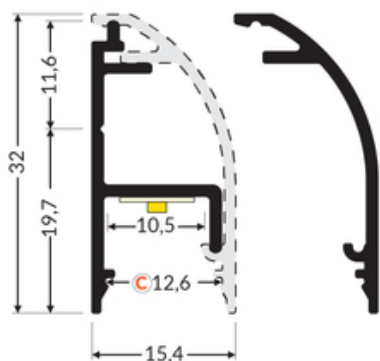


(EOL) COVER WAY10 1000 BLACK PAINTED /PLASTIC BAG

	<ul style="list-style-type: none">• strip for illuminating passageways• dedicated for wall mounting• hidden mounting and wiring• curved shape	 <p>Buy product</p>
---	--	--





Basic Informations

EAN: 5901597256861 Index: F9000502 Material: aluminium Lenght [mm]: 1000 Weigh [kg]t: 0.172 Net weight [kg]: 0.005999999999999998 Country of origin: PL	Measurement unit: qty Product packaging dimensions [mm]: 1000 x 15,4 x 32 Bulk packing [qty]: 40 Master packaging type: Carton Product with gross packaging weight [kg]: 7.29
---	---

AVAILABLE COLORS

 <p>(EOL) cover WAY10 1000 anod. F9000520</p>	 <p>(EOL) cover WAY10 1000 white painted /plastic bag F9000501</p>	 <p>(EOL) cover WAY10 1000 raw alu. F9000500</p>
--	---	---

AVAILABLE VARIANTS

1000 mm, 2000 mm, 3000 mm, 4050 mm

Matching elements

END CAPS

 <p>(EOL) end cap WAY10 black [20pcs] index: F9009902</p>
--