




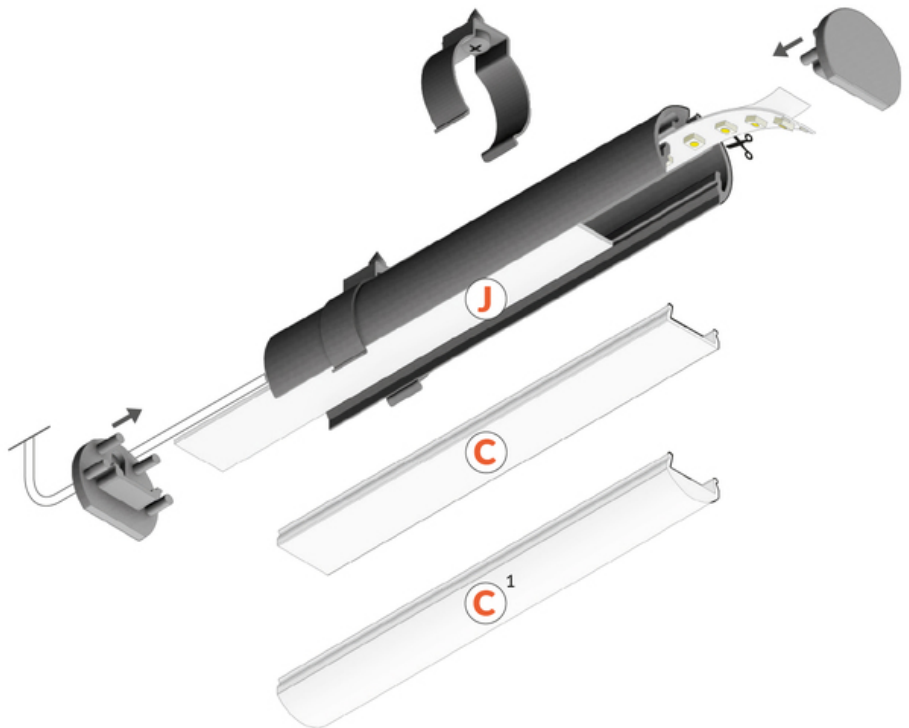
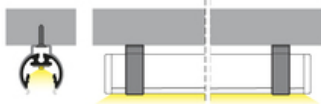
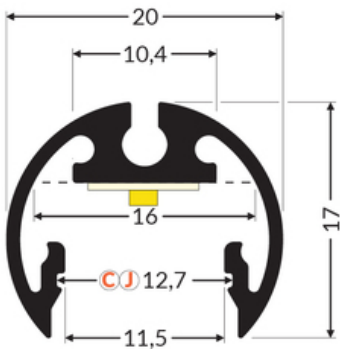


LED PROFILE PEN12 CJ 4050 ANOD.



Furniture

	<ul style="list-style-type: none"> • wall and furniture application • obrotowość umożliwia ukierunkowanie światła 	 EU industrial designs  CE  Made in Poland	 Buy product
---	---	---	--

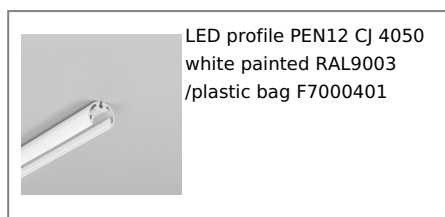
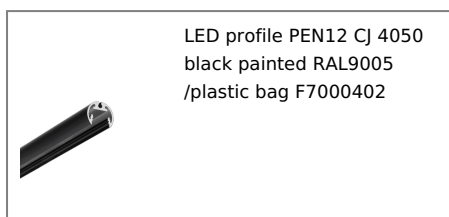




Basic Informations

EAN: 5901597256670 Index: F7000420 Material: aluminium Color: anodized Length [mm]: 4050 Weight [kg]: 0.956 Country of origin: PL	Measurement unit: qty Product packaging dimensions [mm]: 4050 x 20 x 17 Bulk packing [qty]: 40 Master packaging type: Bulk Product with gross packaging weight [kg]: 38.24
---	--

AVAILABLE COLORS

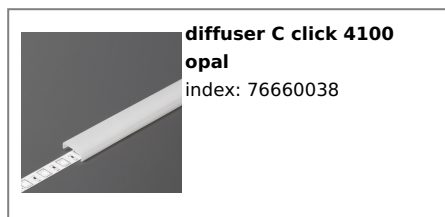


AVAILABLE VARIANTS

1000 mm, 2000 mm, 3000 mm, 4050 mm

Matching elements

DIFFUSERS



END CAPS



end cap PEN12 silver
[20pcs]
index: F7009940



end cap PEN12 grey
[20pcs]
index: F7009922

MOUNTING PLATES



flat holder PEN12 inox
index: F7009019



(EOL) stretcher holder
PEN12 chrome
index: F7009103



ring holder PEN12
chrome
index: F7009203

matching image

(EOL) double holder
PEN12 with soffice
ceiling 300 chrome
index: F7009803

matching image

(EOL) double holder
PEN12 with soffice
ceiling 200 chrome
index: F7009703