

LED PROFILE OMNI10 AC2 4050 ANOD.



Spackle in



Architectural



max 10 mm



- decorative lighting, invisible profile and diffuser
- profile for finishing of plasterboards with a minimum thickness of 12,5 mm
- many possible arrangements
- Slick socket



CE



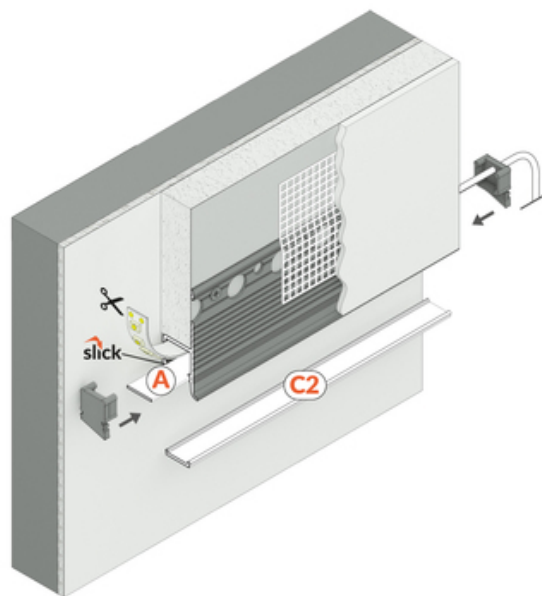
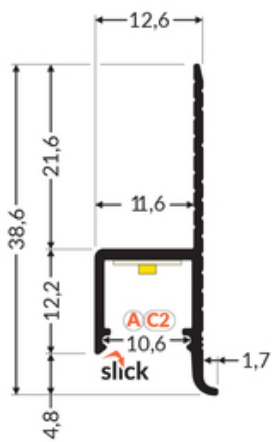
EU industrial designs



Made in Poland



Buy product



TOPMET LIGHT KŁOSOWICZ WIŚNIEWSKI sp. z o.o.

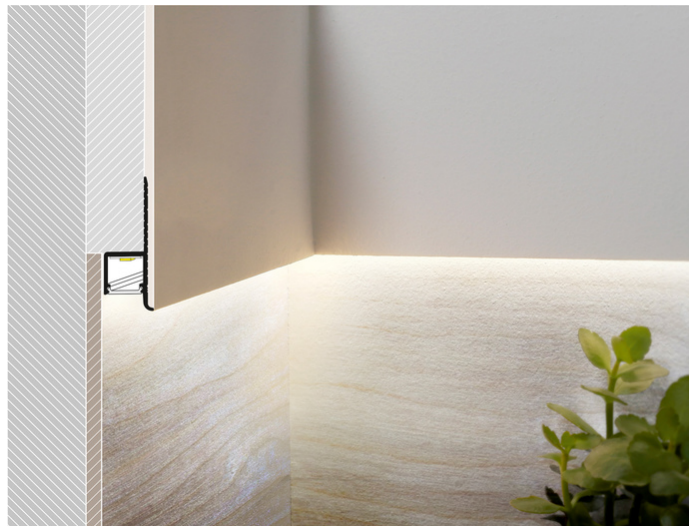
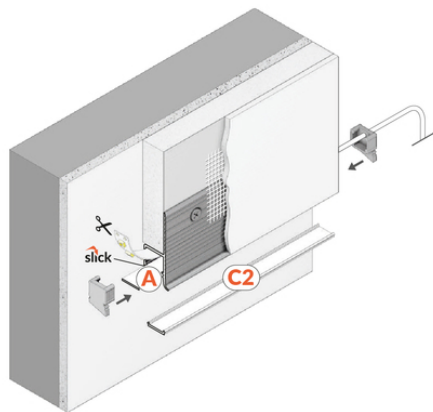
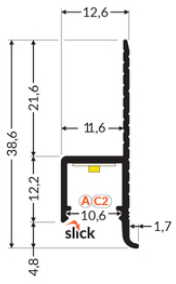
Ostrowska 354 | 61-312 Poznań | POLAND

tel.: +48 61 872 75 00

info@topmet.pl

pdf card generation date: 30.06.2026

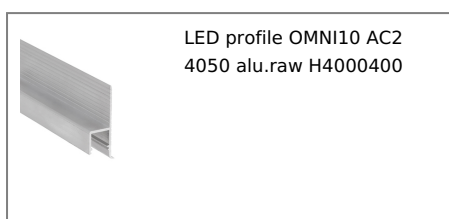
 **TOPMET**[®]



Basic Informations

EAN: 5901597284024 Index: H4000420 Material: aluminium Color: anodized Length [mm]: 4050 Weight [kg]: 0.745 Country of origin: PL	Measurement unit: qty Product packaging dimensions [mm]: 4050 x 14,3 x 38,6 Bulk packing [qty]: 40 Master packaging type: Bulk Product with gross packaging weight [kg]: 29.8
---	---

AVAILABLE COLORS

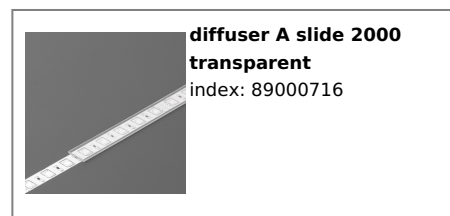
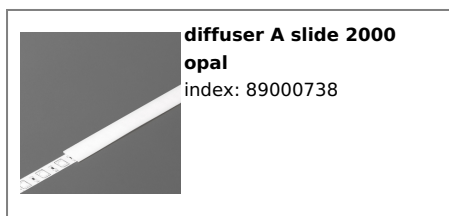
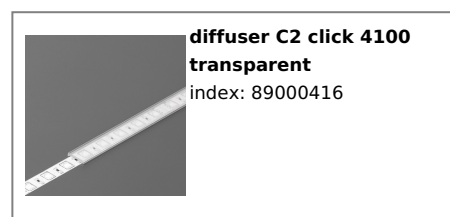
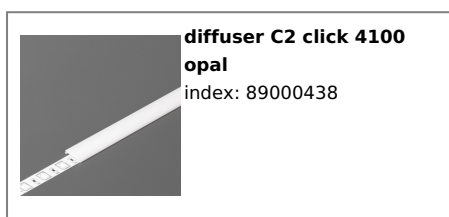


AVAILABLE VARIANTS

1000 mm, 2000 mm, 3000 mm, 4050 mm

Matching elements

DIFFUSERS



END CAPS



end cap OMNI10 grey
[20pcs]
index: H4999922