

LED PROFILE SMART-IN16 BC3/U4 3000 RAW ALU.








Recessed

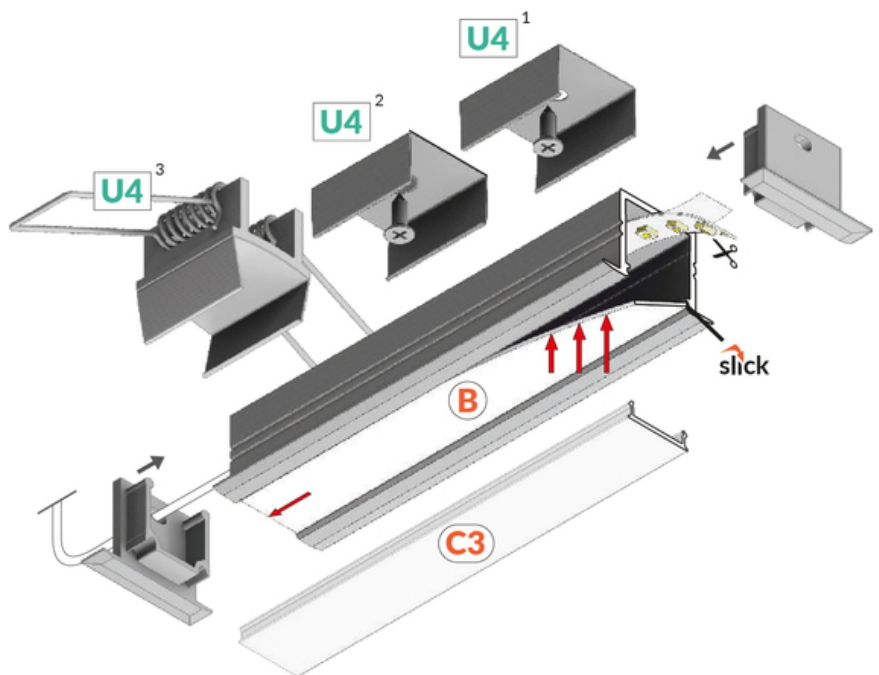
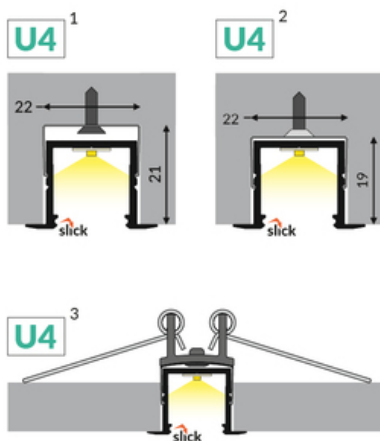
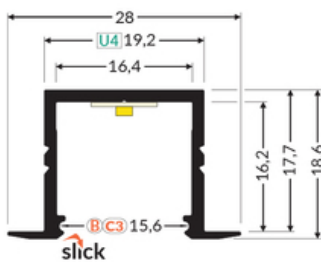


Furniture



max 16 mm

	<ul style="list-style-type: none"> • used mainly in furniture • ceiling installation possible • 6 types of diffusers 	<p> CE</p> <p> EU industrial designs</p> <p> Made in Poland</p>	 <p>Buy product</p>
---	---	--	--





Basic Informations

EAN: 5901597257646

Index: F6000300

Material: aluminium

Color: raw aluminium

Lenght [mm]: 3000

Weigh [kg]: 0.711

Net weight [kg]: 0.018

Country of origin: PL

Measurement unit: qty

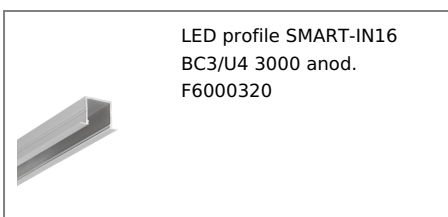
Product packaging dimensions [mm]: 3000 x 28 x 18,6

Bulk packing [qty]: 40

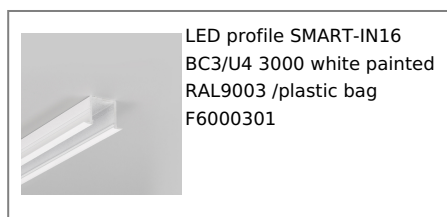
Master packaging type: Bulk

Product with gross packaging weight [kg]: 28.44

AVAILABLE COLORS



LED profile SMART-IN16
BC3/U4 3000 anod.
F6000320



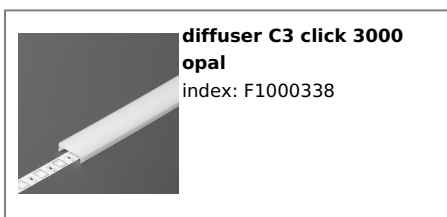
LED profile SMART-IN16
BC3/U4 3000 white painted
RAL9003 /plastic bag
F6000301

AVAILABLE VARIANTS

1000 mm, 2000 mm, 3000 mm, 4050 mm

Matching elements

DIFFUSERS



END CAPS



MOUNTING PLATES

