

# LED PROFILE UNI-TILE12 180DEG C PLUS 4050 BLACK ANOD.

## /PLASTIC BAG



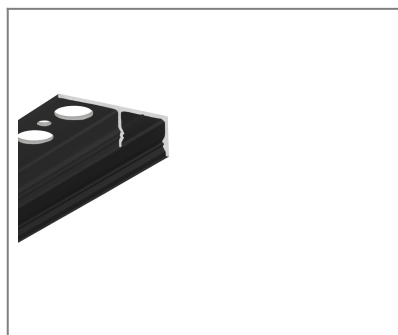
Architectural



max 12 mm



Tile in



EU industrial designs



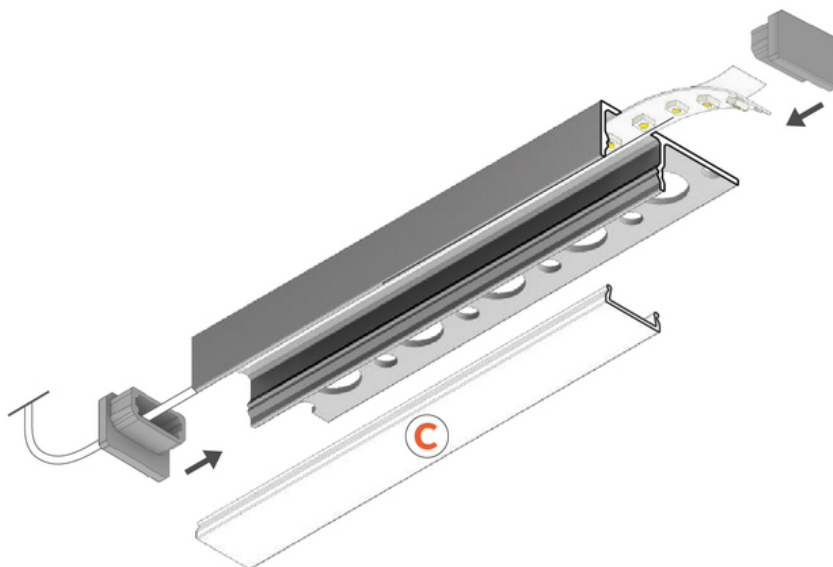
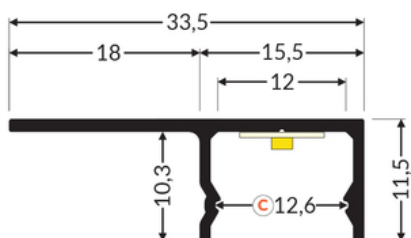
CE



Made in Poland



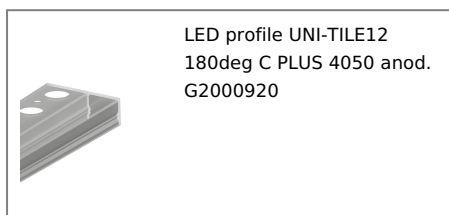
Buy product



## Basic Informations

Material: aluminium Color: black anodized Length [mm]: 4050 Weight [kg]: 0.883 Country of origin: PL	Measurement unit: qty Product packaging dimensions [mm]: 4050 x 33,5 x 11,5 Bulk packing [qty]: 40 Master packaging type: Bulk Product with gross packaging weight [kg]: 35.32
--	--

## AVAILABLE COLORS

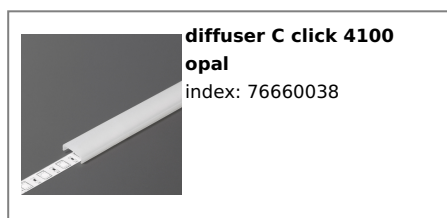


## AVAILABLE VARIANTS

1000 mm, 2000 mm, 3000 mm, 4050 mm

## Matching elements

## DIFFUSERS



## END CAPS



**end cap UNI-TILE12**  
**black [20pcs]**  
index: G2999902