

LED PROFILE HIDE10 C4 PLUS 3000 ALU.RAW



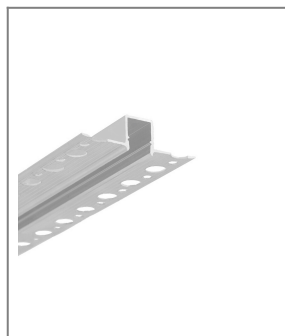
Architectural



max 10 mm



Spackle in



- profile that fits into the thickness of a standard plasterboard (12,5 mm)
- continuous line of light when using LED strip 120 P/m



EU industrial designs



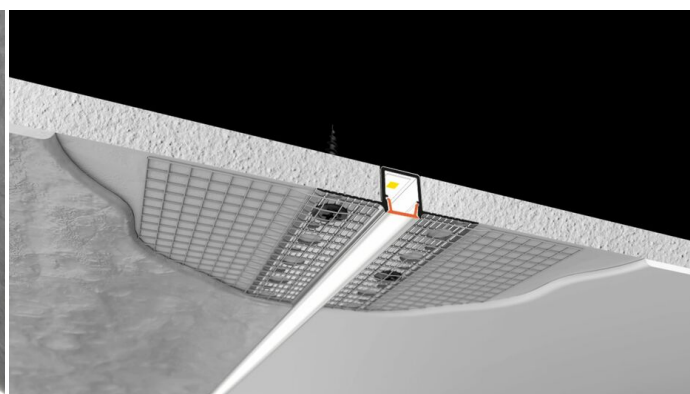
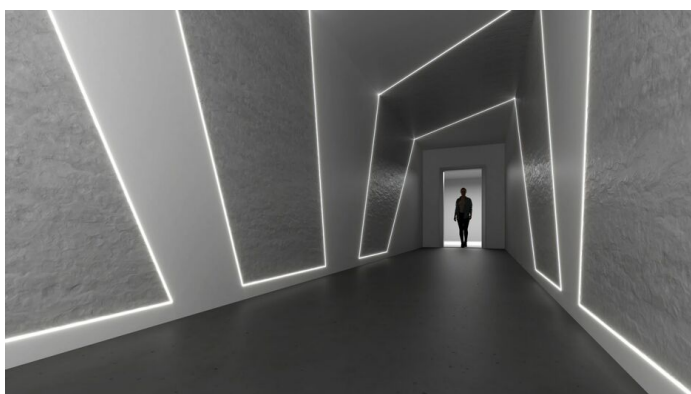
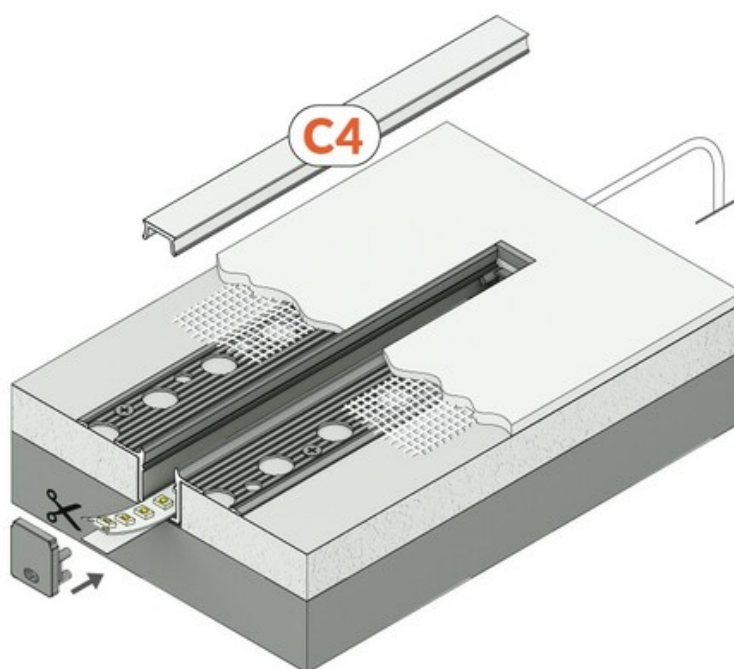
CE



Made in Poland



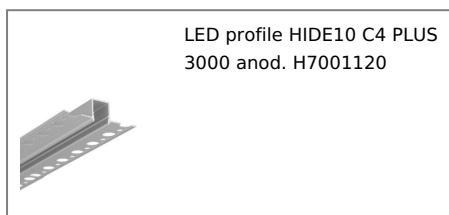
Buy product



Basic Informations

Material: aluminium Color: raw aluminium Length [mm]: 3000 Weight [kg]: 0.657 Country of origin: PL	Measurement unit: qty Product packaging dimensions [mm]: 3000 x 50,4 x 14,7 Bulk packing [qty]: 40 Master packaging type: Bulk Product with gross packaging weight [kg]: 26.28
---	--

AVAILABLE COLORS

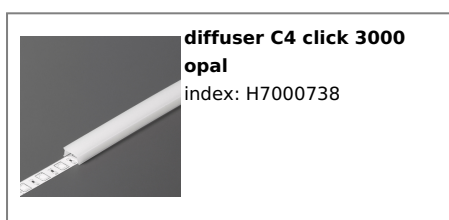


AVAILABLE VARIANTS

1000 mm, 2000 mm, 3000 mm, 4050 mm

Matching elements

DIFFUSERS



END CAPS

TOPMET LIGHT KŁOSOWICZ WIŚNIEWSKI sp. z o.o.

Ostrowska 354 | 61-312 Poznań | POLAND

tel.: +48 61 872 75 00

info@topmet.pl

pdf card generation date: 30.06.2026



**end cap HIDE10 with
hole grey [20pcs]**
index: H7999922