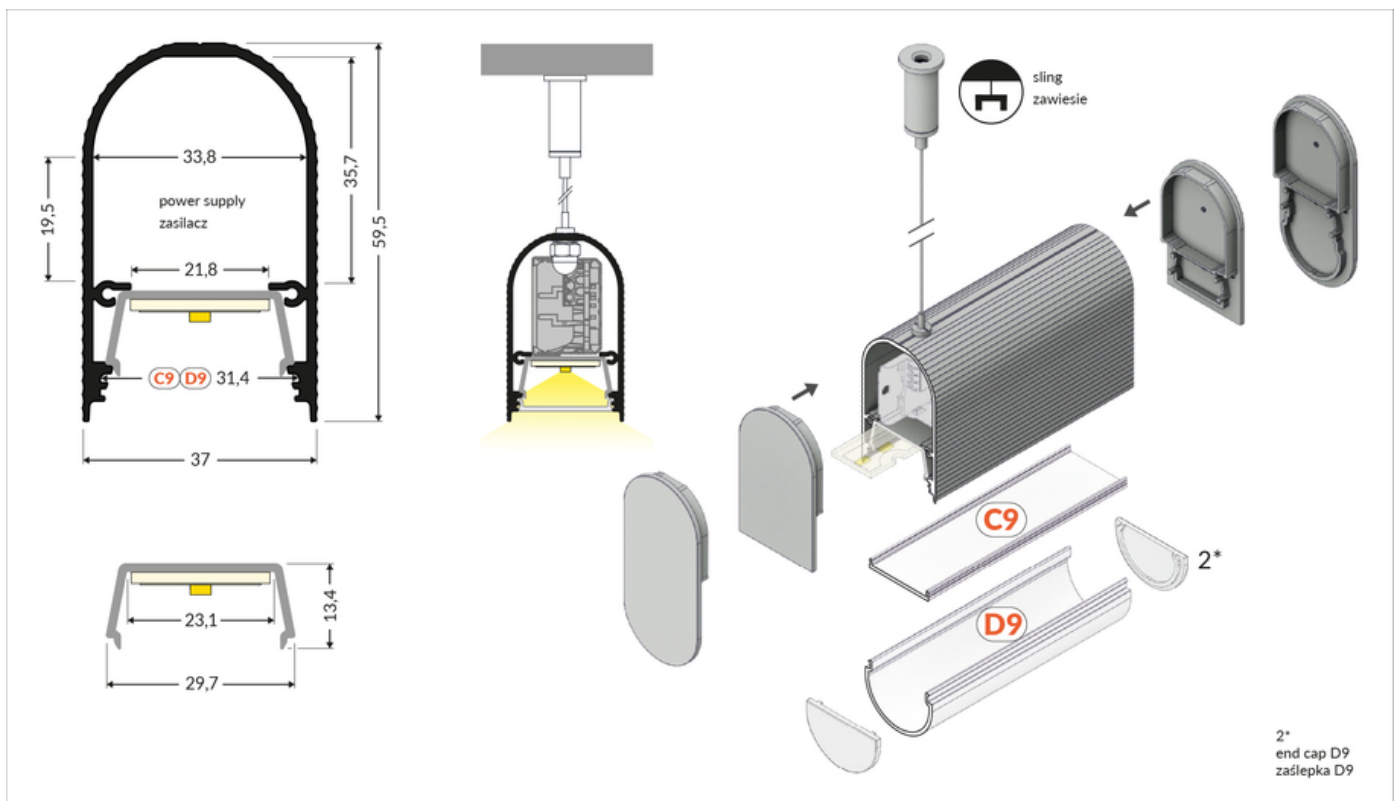
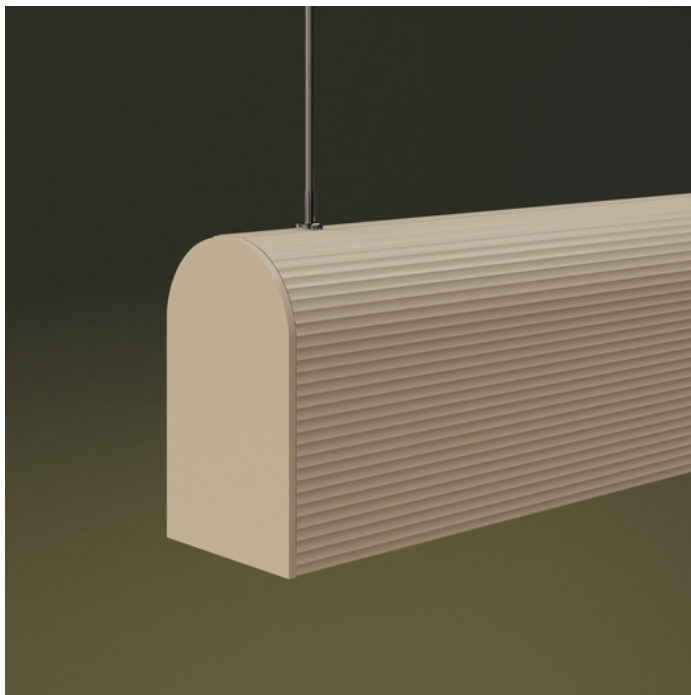


LED PROFILE NAMI23 CD-9 3000 GOLD ANOD. /PLASTIC BAG



	<p> CE</p> <p> EU industrial designs</p> <p> Made in Poland</p>	 <p>Buy product</p>
---	--	--






Basic Informations

Material: aluminium Length [mm]: 3000 Weight [kg]: 2.022 Net weight [kg]: 0.015 Country of origin: PL	Measurement unit: qty Product packaging dimensions [mm]: 3000 x 37 x 59,5 Bulk packing [qty]: 10 Master packaging type: Bulk Product with gross packaging weight [kg]: 20.22
---	--

AVAILABLE COLORS

 <p>LED profile NAMI23 CD-9 3000 black anod. /plastic bag K1000321</p>	 <p>LED profile NAMI23 CD-9 3000 white painted RAL9003 /plastic bag K1000301</p>	 <p>LED profile NAMI23 CD-9 3000 raw alu. K1000300</p>
---	---	---

AVAILABLE VARIANTS

1000 mm, 2000 mm, 3000 mm, 4050 mm

Matching elements

DIFFUSERS

 <p>diffuser D9 click 3000 opal /plastic bag index: V3510038</p>	 <p>diffuser C9 click 20m reel black index: V3000441S</p>	 <p>diffuser C9 click IRM 20m reel opal index: V3000938S</p>
 <p>diffuser C9 click IRM 3000 opal index: V3000738</p>	 <p>diffuser C9 click 3000 black /plastic bag index: V3470041</p>	 <p>diffuser C9 click IRM 3000 transparent index: V3000716</p>

MOUNTINGS

TOPMET LIGHT KŁOSOWICZ WIŚNIEWSKI sp. z o.o.

Ostrowska 354 | 61-312 Poznań | POLAND

tel.: +48 61 872 75 00

info@topmet.pl

pdf card generation date: 01.07.2026



sling large 1500 chrome
/plactic bag
index: 43100003

END CAPS

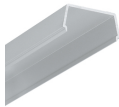


end cap NAMI23 gold
[2pcs]
index: K1999892



end cap NAMI23-D9 gold
[2pcs]
index: K1999992

COMPLEMENTARY PROFILE



complementary profile
NAMI23 3000 anod.
index: K1000720