

LED PROFILE NAMI23 CD-9 4050 BLACK ANOD. /PLASTIC BAG



Lighting



max 23 mm



- for the construction of suspended LED luminaires
- unique aesthetics, new design
- minimalist and refined details
- convenient mounting and service – clip-on profile for LED source
- space for the power supply inside the luminaire



CE



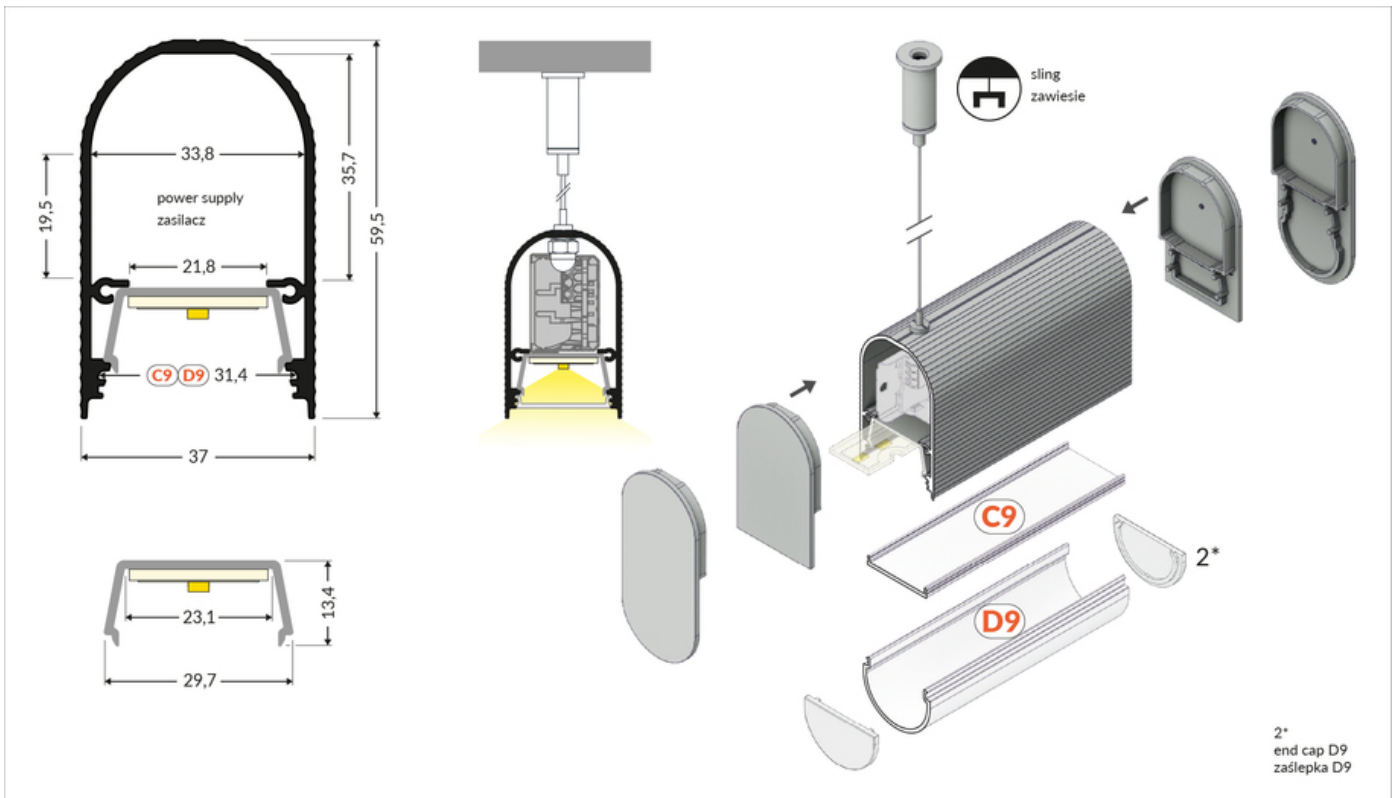
EU industrial designs

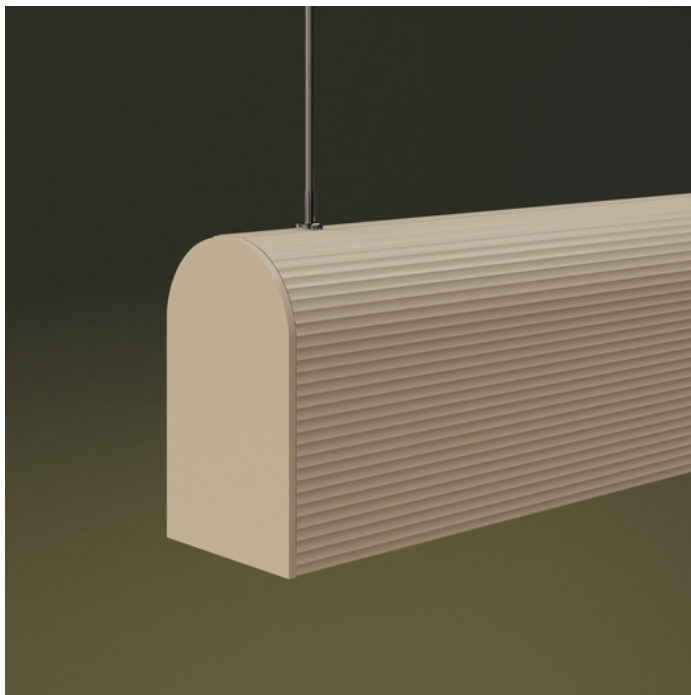


Made in Poland



Buy product





Basic Informations

Material: aluminium Color: black anodized Length [mm]: 4050 Weight [kg]: 2.73 Net weight [kg]: 0.022 Country of origin: PL	Measurement unit: qty Product packaging dimensions [mm]: 4050 x 37 x 59,5 Bulk packing [qty]: 10 Master packaging type: Bulk Product with gross packaging weight [kg]: 27.3
---	---

AVAILABLE COLORS

 <p>LED profile NAMI23 CD-9 4050 gold anod. /plastic bag K1000493</p>	 <p>LED profile NAMI23 CD-9 4050 white painted RAL9003 /plastic bag K1000401</p>	 <p>LED profile NAMI23 CD-9 4050 raw alu. K1000400</p>
--	---	---

AVAILABLE VARIANTS

1000 mm, 2000 mm, 3000 mm, 4050 mm

Matching elements

DIFFUSERS

 <p>diffuser C9 click 4100 black /plastic bag index: V3480041</p>	 <p>diffuser D9 click 4100 opal /plastic bag index: V3520038</p>	 <p>diffuser C9 click 20m reel black index: V3000441S</p>
 <p>diffuser C9 click IRM 4100 opal index: V3000838</p>	 <p>diffuser C9 click IRM 20m reel opal index: V3000938S</p>	 <p>diffuser C9 click IRM 4100 transparent index: V3000816</p>

MOUNTINGS

TOPMET LIGHT KŁOSOWICZ WIŚNIEWSKI sp. z o.o.

Ostrowska 354 | 61-312 Poznań | POLAND

tel.: +48 61 872 75 00

info@topmet.pl

pdf card generation date: 16.06.2026



sling large 1500 chrome
/plactic bag
index: 43100003

END CAPS



end cap NAMI23 metal
black painted [2pcs]
index: K1999602



end cap NAMI23-D9
metal black painted
[2pcs]
index: K1999702

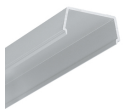


end cap NAMI23 black
[2pcs]
index: K1999402



end cap NAMI23-D9
black [2pcs]
index: K1999502

COMPLEMENTARY PROFILE



complementary profile
NAMI23 4050 anod.
index: K1000820