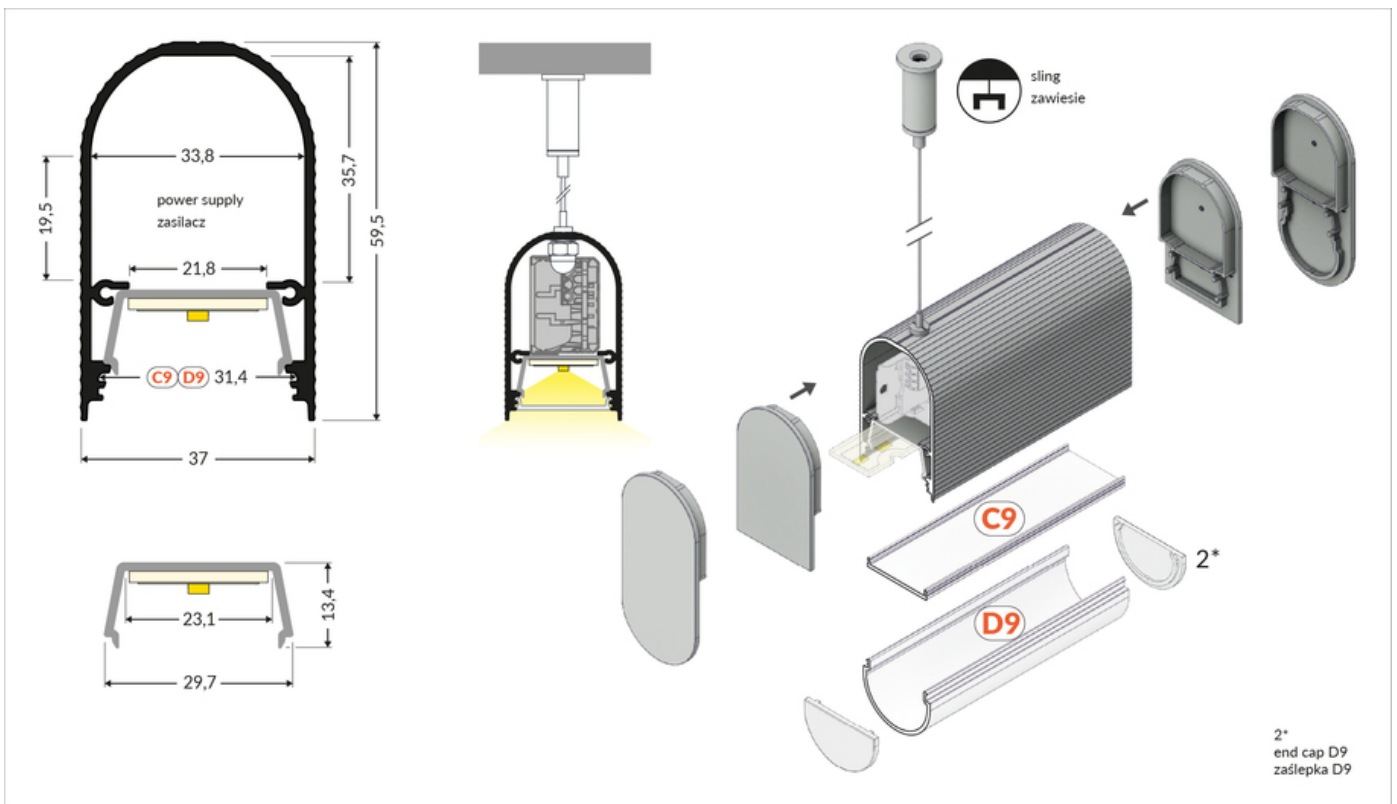
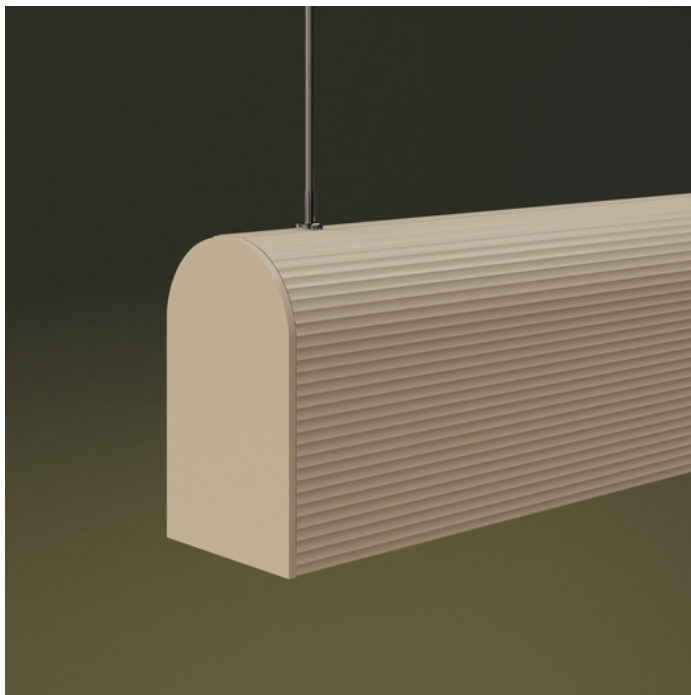


LED PROFILE NAMI23 CD-9 4050 WHITE PAINTED RAL9003 /PLASTIC BAG



	<ul style="list-style-type: none">• for the construction of suspended LED luminaires• unique aesthetics, new design• minimalist and refined details• convenient mounting and service – clip-on profile for LED source• space for the power supply inside the luminaire	<p> CE</p> <p> EU industrial designs</p> <p> Made in Poland</p>	<p>Buy product</p>
--	--	---	--------------------








Basic Informations

Material: aluminium Color: white painted Length [mm]: 4050 Weight [kg]: 2.73 Net weight [kg]: 0.022 Country of origin: PL	Measurement unit: qty Product packaging dimensions [mm]: 4050 x 37 x 59,5 Bulk packing [qty]: 10 Master packaging type: Bulk Product with gross packaging weight [kg]: 27.3
--	---

AVAILABLE COLORS

 <p>LED profile NAMI23 CD-9 4050 gold anod. /plastic bag K1000493</p>	 <p>LED profile NAMI23 CD-9 4050 black anod. /plastic bag K1000421</p>	 <p>LED profile NAMI23 CD-9 4050 raw alu. K1000400</p>
--	---	---

AVAILABLE VARIANTS

1000 mm, 2000 mm, 3000 mm, 4050 mm

Matching elements

DIFFUSERS

 <p>diffuser C9 click 4100 black /plastic bag index: V3480041</p>	 <p>diffuser D9 click 4100 opal /plastic bag index: V3520038</p>	 <p>diffuser C9 click 20m reel black index: V3000441S</p>
 <p>diffuser C9 click IRM 4100 opal index: V3000838</p>	 <p>diffuser C9 click IRM 20m reel opal index: V3000938S</p>	 <p>diffuser C9 click IRM 4100 transparent index: V3000816</p>

MOUNTINGS



sling large 1500 chrome
/plactic bag
index: 43100003

END CAPS

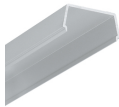


end cap NAMI23 white
[2pcs]
index: K1999401



end cap NAMI23-D9
white [2pcs]
index: K1999501

COMPLEMENTARY PROFILE



complementary profile
NAMI23 4050 anod.
index: K1000820