

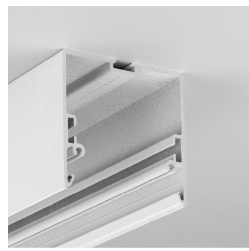
LED PROFILE PHIL.V2 C10/Q9 4050 WHITE PAINTED RAL9003 /PLASTIC BAG



Surface



Lighting



EU industrial designs



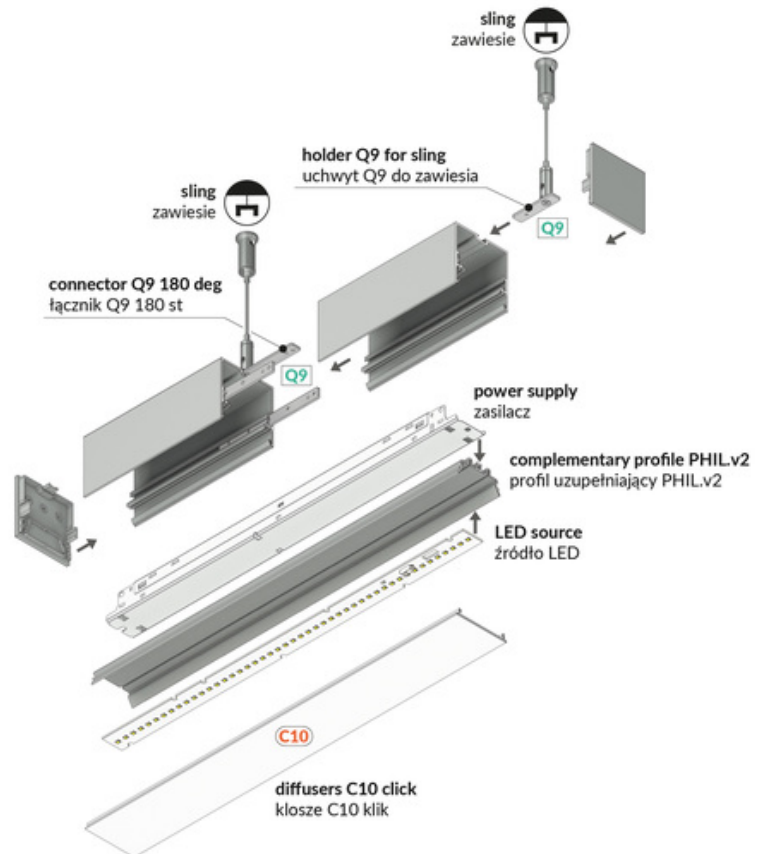
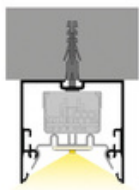
CE



Made in Poland



Buy product



TOPMET LIGHT KŁOSOWICZ WIŚNIEWSKI sp. z o.o.

Ostrowska 354 | 61-312 Poznań | POLAND

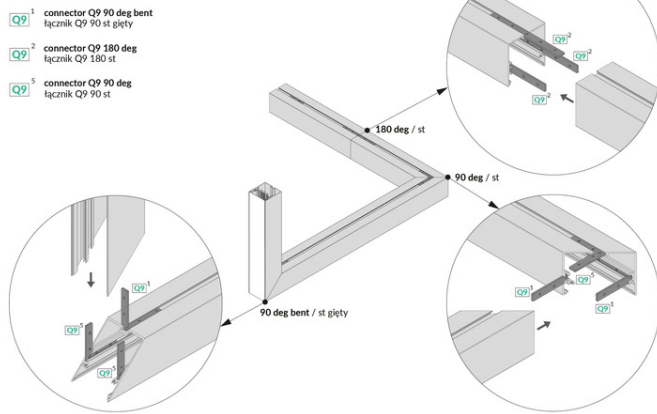
tel.: +48 61 872 75 00

info@topmet.pl

pdf card generation date: 30.06.2026



CONNECTION POSSIBILITY MOŻLIWOŚCI ŁĄCZENIA



Basic Informations

EAN: 5901597217978 Index: P2000401 Material: aluminium Color: white painted Length [mm]: 4050 Weight [kg]: 3.654 Net weight [kg]: 0.015 Country of origin: PL	Measurement unit: qty Product packaging dimensions [mm]: 4050 x 53 x 53 Bulk packing [qty]: 4 Master packaging type: Bulk Product with gross packaging weight [kg]: 14.616
--	--

AVAILABLE COLORS

 <p>LED profile PHIL.v2 C10/Q9 4050 raw alu. P2000400</p>	 <p>LED profile PHIL.v2 C10/Q9 4050 anod. /plastic bag P2000420</p>	 <p>LED profile PHIL.v2 C10/Q9 4050 black anod. /plastic bag P2000421</p>
--	--	--

AVAILABLE VARIANTS

2000 mm, 4050 mm, 1000 mm, 3000 mm

Matching elements

DIFFUSERS

 <p>diffuser C10 click 4100 wide index: 63780000</p>	 <p>diffuser C10 click 4100 narrow index: 63800000</p>	 <p>diffuser C10 click 4100 opal index: 63700038</p>
 <p>diffuser C10 click 4100 pro index: P2001216</p>	 <p>diffuser C10 click 4100 basic index: P2001638</p>	

END CAPS



PHIL.v2 end cap white
[2pcs]
index: P2999901

CONNECTORS



connector Q9-180deg
/plastic bag
index: V5999819S

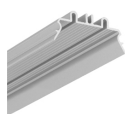


connector Q9-90deg
bent /plastic bag
index: V5999519S



connector Q9-90deg
/plastic bag
index: V5999419S

OTHER



complementary profile
PHIL.v2 4050 anod.
index: P2000820

COMPLEMENTARY PROFILE



cover C10 4050 white
painted RAL9003 /plastic
bag
index: 63750001