

LED PROFILE UNI14 BC3/Y 4050 ANOD.



Surface

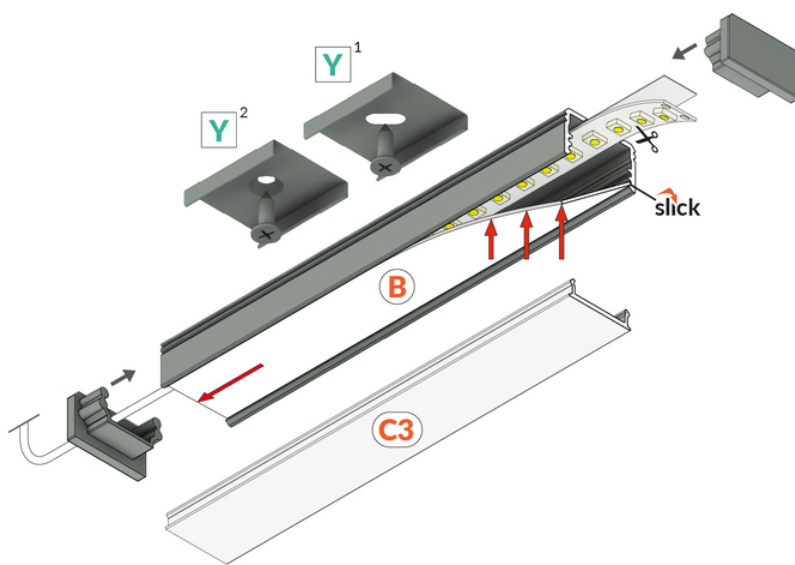
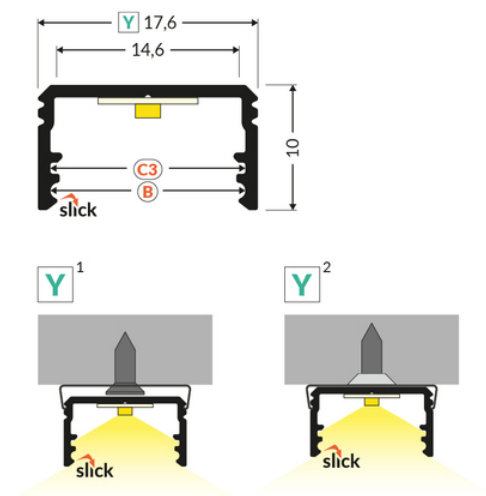


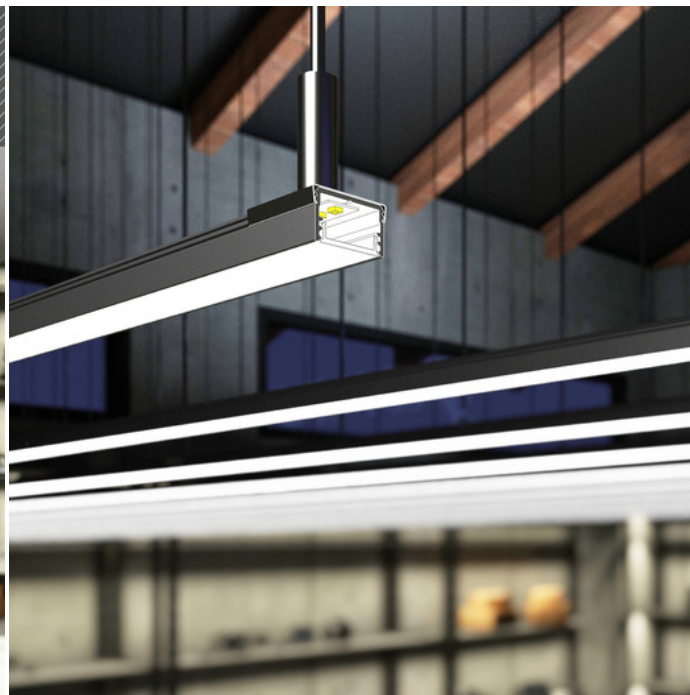
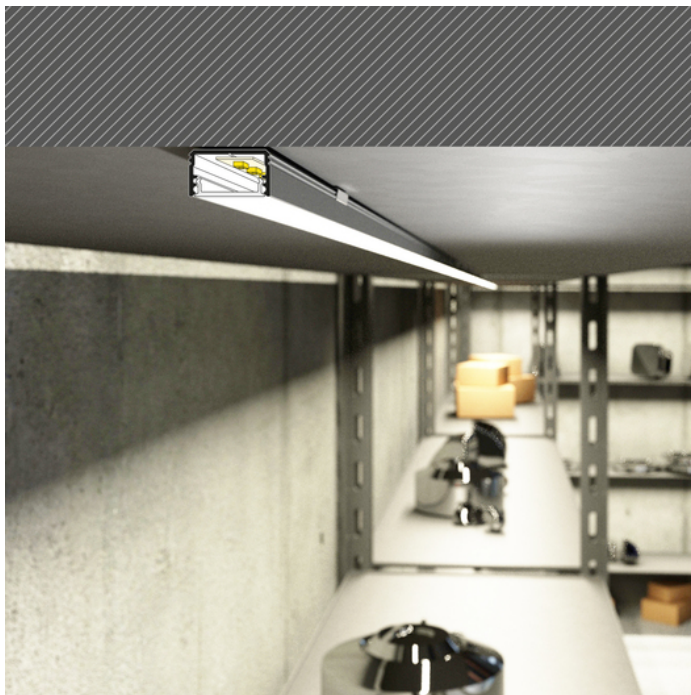
Furniture



max 14 mm

	<p> CE</p> <p> EU industrial designs</p> <p> Made in Poland</p>	 <p>Buy product</p>
---	--	--

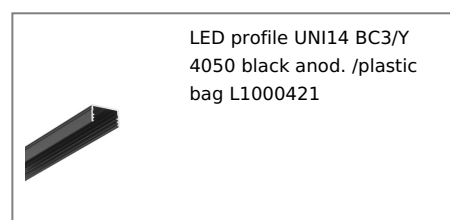
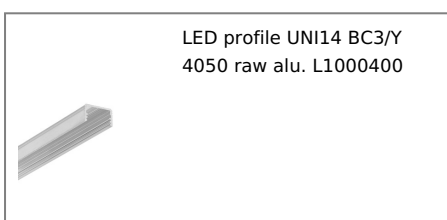




Basic Informations

<p>EAN: 5901597262213 Index: L1000420 Material: aluminium Color: anodized Length [mm]: 4050 Weight [kg]: 0.417 Net weight [kg]: 0.029 Country of origin: PL</p>	<p>Measurement unit: qty Product packaging dimensions [mm]: 4050 x 17,6 x 10 Bulk packing [qty]: 80 Master packaging type: Bulk Product with gross packaging weight [kg]: 33.36</p>
--	---

AVAILABLE COLORS



AVAILABLE VARIANTS

2000 mm, 4050 mm, 1000 mm, 3000 mm

Matching elements

TOPMET LIGHT KŁOSOWICZ WIŚNIEWSKI sp. z o.o.

Ostrowska 354 | 61-312 Poznań | POLAND

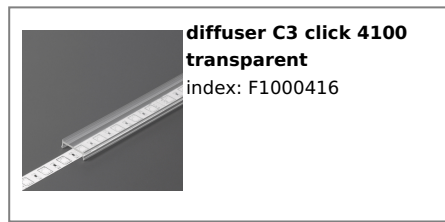
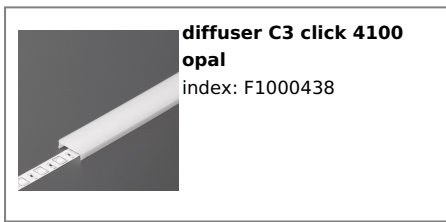
tel.: +48 61 872 75 00

info@topmet.pl

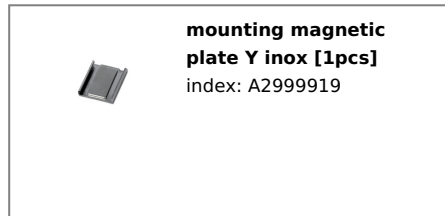
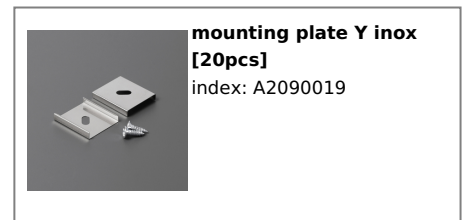
pdf card generation date: 29.06.2026



DIFFUSERS



MOUNTINGS



END CAPS

