

LED PROFILE UP-MINI10 A 4050 ANOD.



Architectural



max 10 mm



- for the illumination of steps and their edges
- basic and compact (one-piece)
- without any glare effect
- anti-slip ribbing
- Slick socket



EU industrial designs



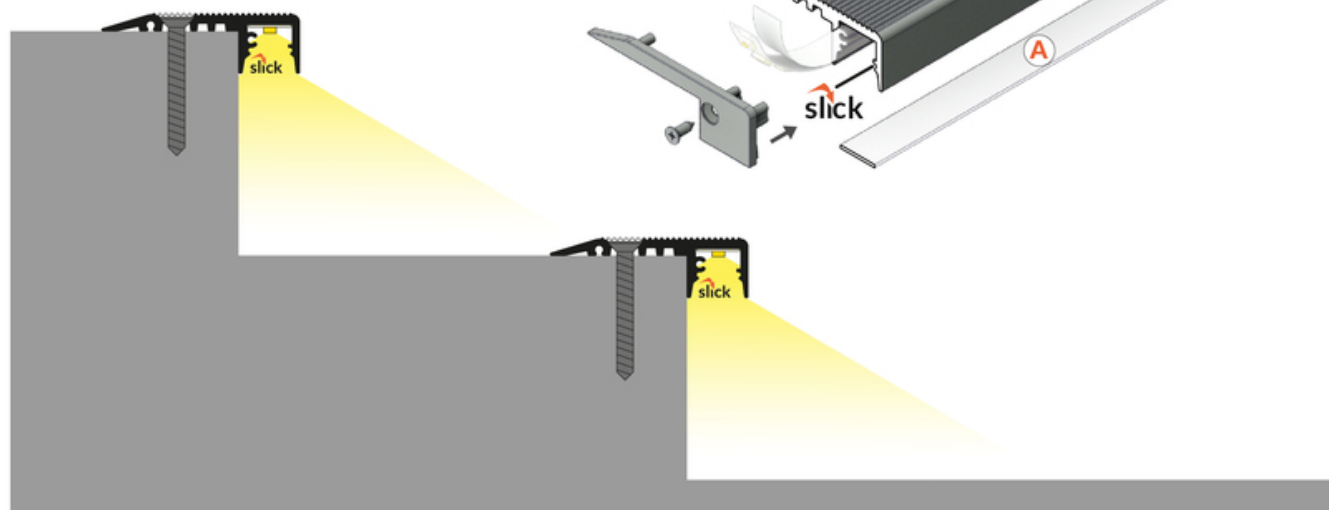
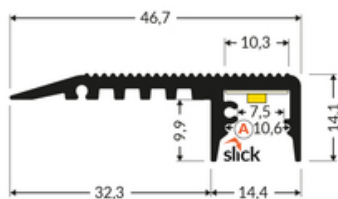
CE

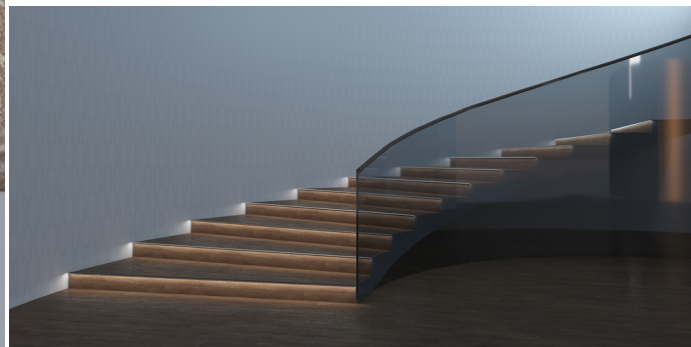
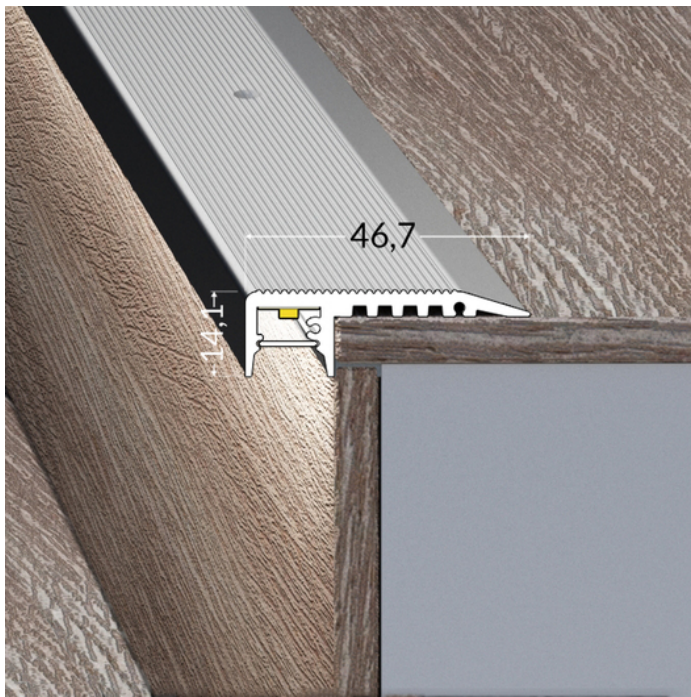


Made in Poland



Buy product





Basic Informations

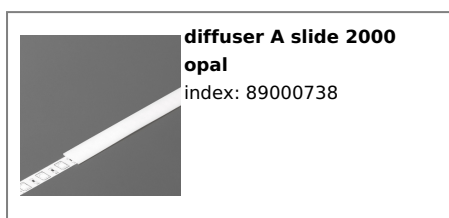
EAN: 5901597224518 Index: J9000420 Material: aluminium Color: anodized Lenght [mm]: 4050 Weigh [kg]t: 1.725 Country of origin: PL	Measurement unit: qty Product packaging dimensions [mm]: 4050 x 46,7 x 14,1 Bulk packing [qty]: 10 Master packaging type: Bulk Product with gross packaging weight [kg]: 17.25
---	--

AVAILABLE VARIANTS

1000 mm, 2000 mm, 3000 mm, 4050 mm

Matching elements

DIFFUSERS



END CAPS

