

LED PROFILE GLOW12 DOWN A1C 3000 ANOD.



Architectural



Spackle in



- for finishing suspended ceilings
- a gentle glow of light on the wall
- easy and aesthetically pleasing finish to the edges
- profile for finishing of plasterboards with a minimum thickness of 12,5 mm



EU industrial designs



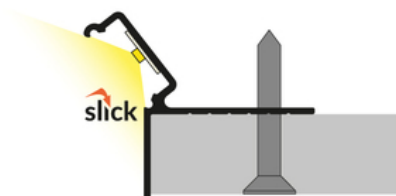
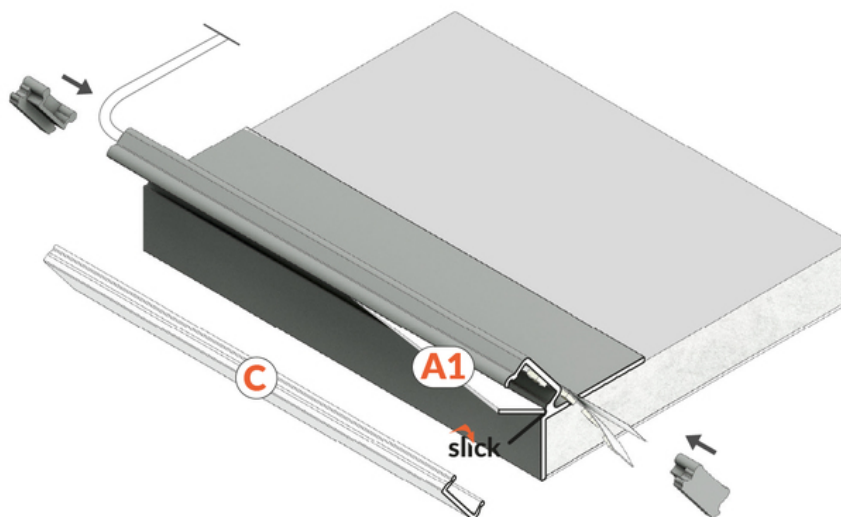
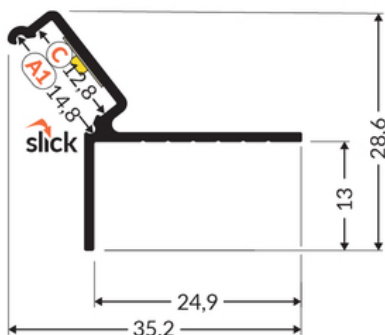
CE



Made in Poland



Buy product





Basic Informations

EAN: 5901597236726
Index: K7000320
Material: aluminium
Color: anodized
Length [mm]: 3000
Weight [kg]: 0.573
Country of origin: PL

Measurement unit: qty
Product packaging dimensions [mm]: 3000 x 35,2 x 28,6
Bulk packing [qty]: 40
Master packaging type: Bulk
Product with gross packaging weight [kg]: 22.92

AVAILABLE VARIANTS

1000 mm, 2000 mm, 3000 mm, 4050 mm

Matching elements

DIFFUSERS





**diffuser C click 20m reel
opal /pack**
index: 76360038S



**diffuser A1 slide 3000
frosted**
index: J6001039

END CAPS



**end cap GLOW12 grey
[20pcs]**
index: K7999922