

# COMPLEMENTARY PROFILE SKIRT10 4050 ANOD.

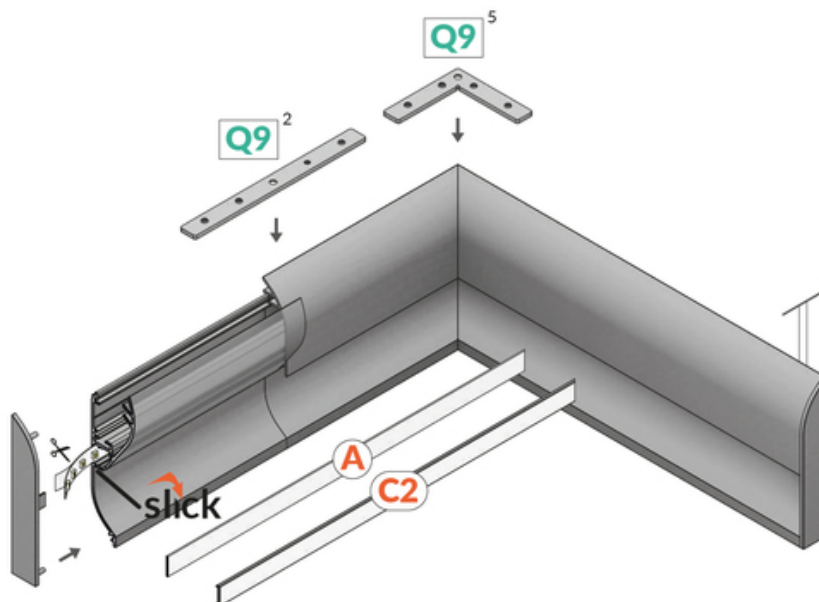
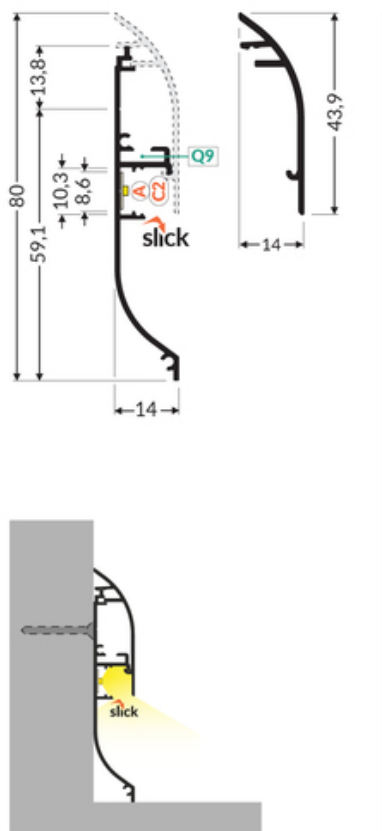


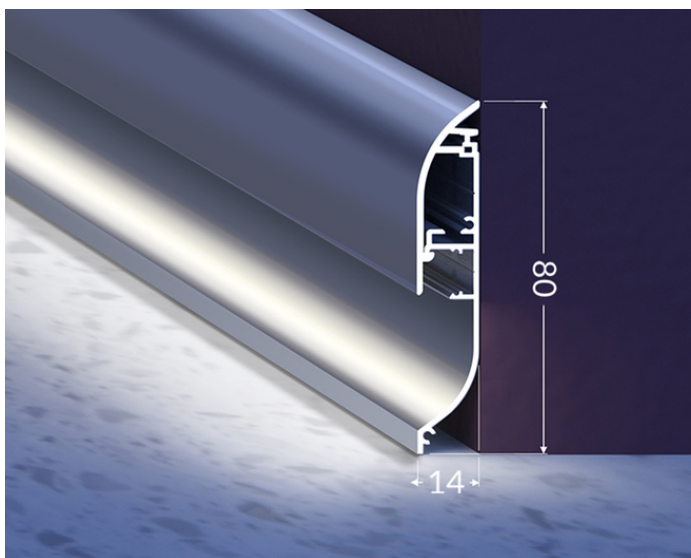
Architectural



max 10 mm

	<ul style="list-style-type: none"> <li>• elegant and robust skirting board for LED strips</li> <li>• soft glow with a 60 P/m LED strip</li> <li>• optimum light effect with a matt floor or carpet</li> <li>• convenient installation</li> <li>• space for concealing wires</li> </ul>	<ul style="list-style-type: none"> <li> EU industrial designs</li> <li> CE</li> <li> Made in Poland</li> </ul>	<p>Buy product</p>
--	--	--	--------------------

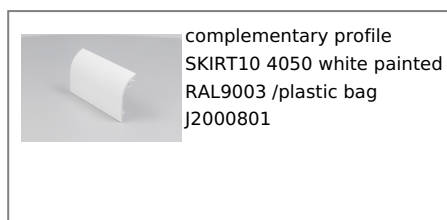
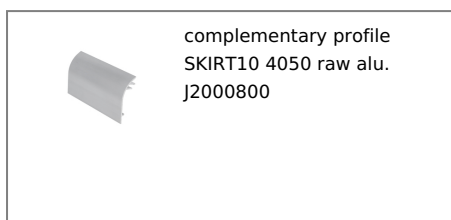




## Basic Informations

EAN: 5901597288831 Index: J2000820 Material: aluminium Color: anodized Length [mm]: 4050 Weight [kg]: 0.794 Country of origin: PL	Measurement unit: qty Product packaging dimensions [mm]: 4050 x 14 x 43,9 Bulk packing [qty]: 20 Master packaging type: Bulk Product with gross packaging weight [kg]: 15.88
---	--

## AVAILABLE COLORS



## AVAILABLE VARIANTS

1000 mm, 2000 mm, 3000 mm, 4050 mm

---

## Matching elements

---