

LED PROFILE SURFACE14 EE7F/TY 4050 RAW ALU.



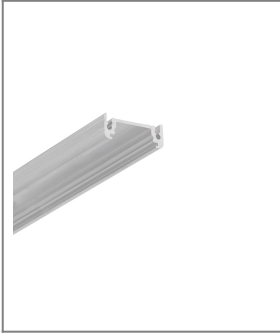
Furniture



max 14 mm



Surface



- hidden mounting
- many system accessories available



EU industrial designs



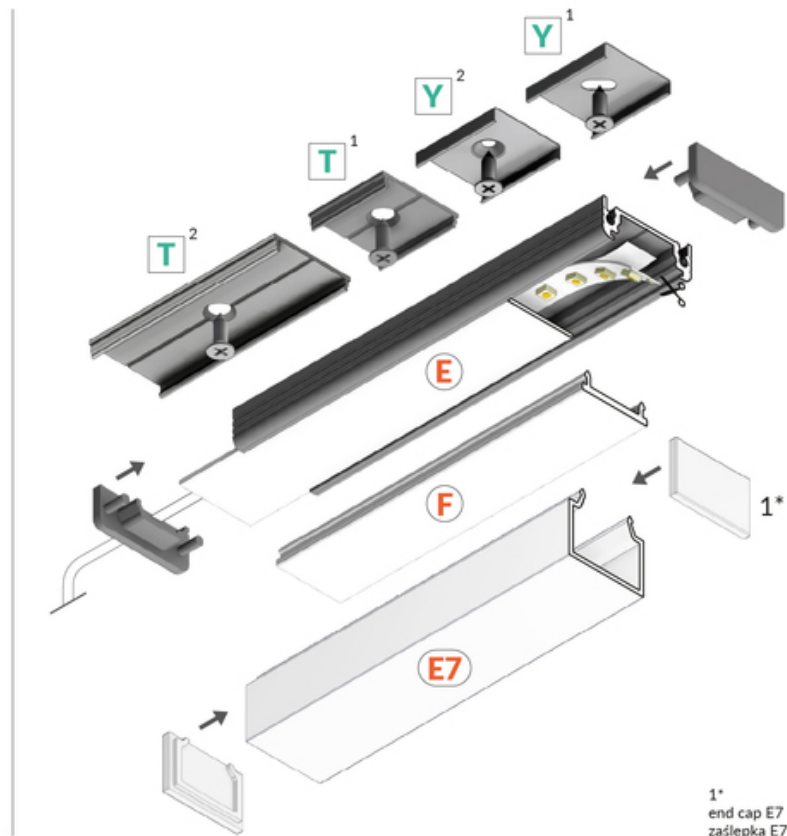
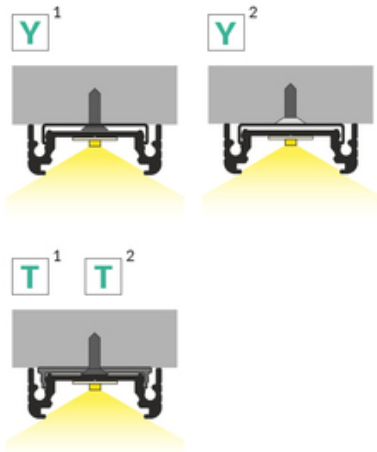
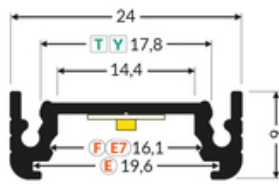
CE

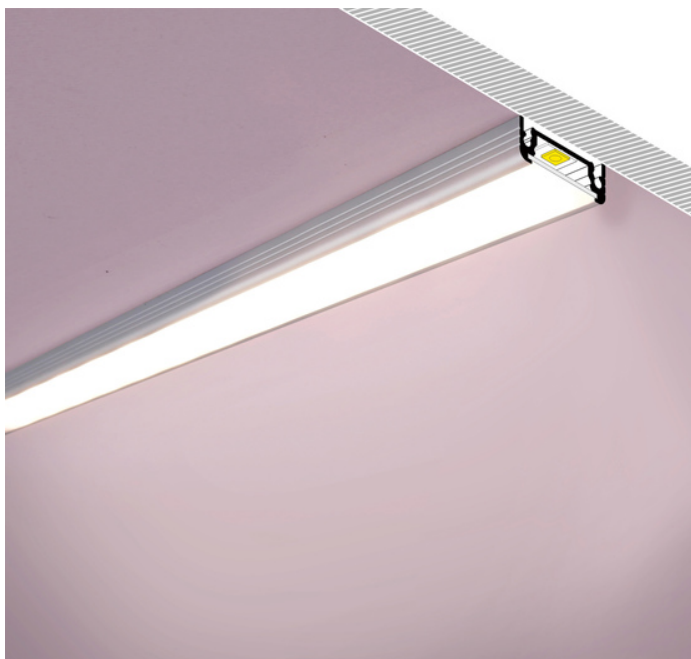


Made in Poland



Buy product



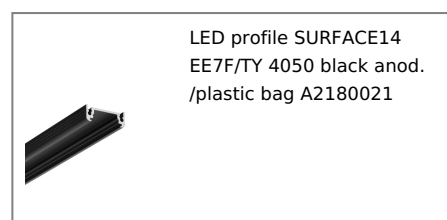
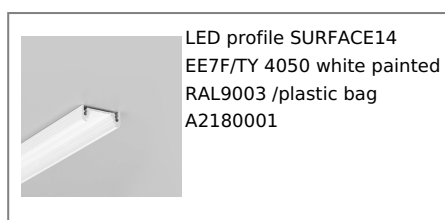
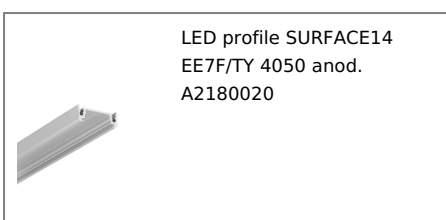


Basic Informations

EAN: 5901597252191
Index: A2180000
Material: aluminium
Color: raw aluminium
Length [mm]: 4050
Weight [kg]: 0.66
Net weight [kg]: 0.018
Country of origin: PL

Measurement unit: qty
Product packaging dimensions [mm]: 4050 x 24 x 9
Bulk packing [qty]: 40
Master packaging type: Bulk
Product with gross packaging weight [kg]: 26.4

AVAILABLE COLORS



AVAILABLE VARIANTS

1000 mm, 2000 mm, 3000 mm, 4050 mm

Matching elements

TOPMET LIGHT KŁOSOWICZ WIŚNIEWSKI sp. z o.o.
Ostrowska 354 | 61-312 Poznań | POLAND
tel.: +48 61 872 75 00
info@topmet.pl

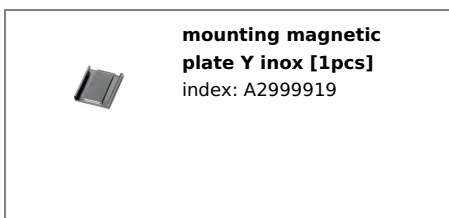
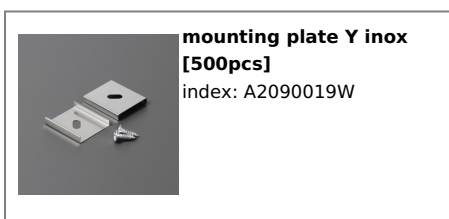
pdf card generation date: 30.06.2026



DIFFUSERS



MOUNTINGS



END CAPS



**end cap SURFACE14
gen2 grey [20pcs]**
index: A2980022



**end cap SURFACE14
gen2 silver [20pcs]**
index: A2980040



**end cap SURFACE14
gen2 with hole grey
[20pcs]**
index: A2970022



**end cap SURFACE14
gen2 with hole silver
[20pcs]**
index: A2970040

CONNECTORS



**connector T 180deg
/plastic bag [200pcs]**
index: C6990000W