

LED PROFILE SURFACE14 EE7F/TY 3000 RAW ALU.



max 14 mm

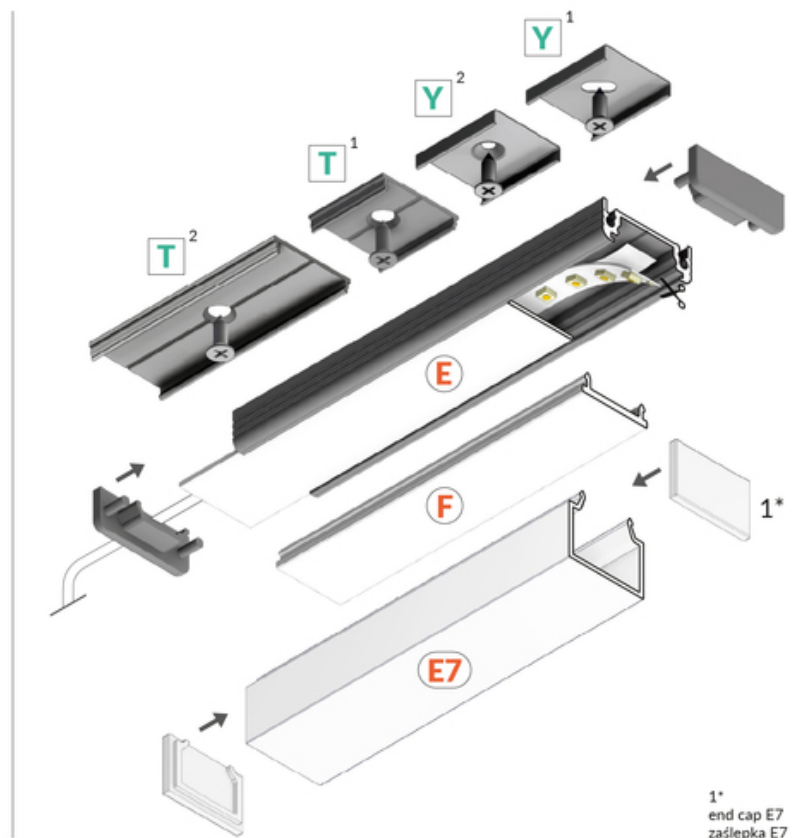
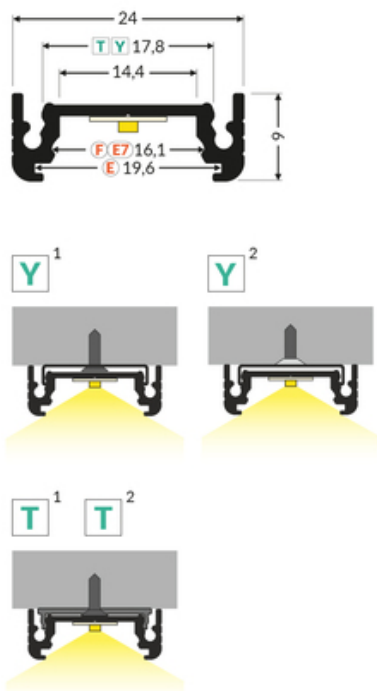


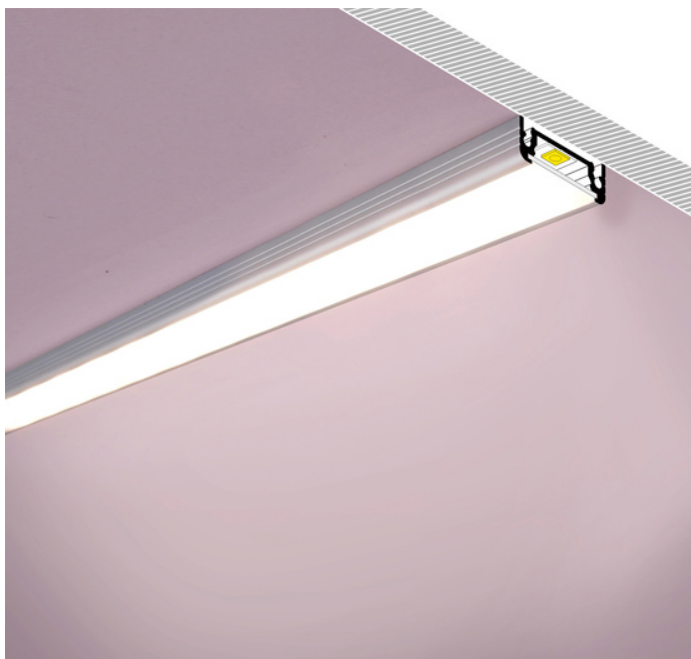
Surface



Furniture

	<ul style="list-style-type: none"> • hidden mounting • many system accessories available 	<ul style="list-style-type: none"> EU industrial designs CE Made in Poland 	<p>Buy product</p>
--	--	--	--------------------





Basic Informations

EAN: 5901597252139

Index: A2170000

Material: aluminium

Color: raw aluminium

Length [mm]: 3000

Weight [kg]: 0.489

Net weight [kg]: 0.018

Country of origin: PL

Measurement unit: qty

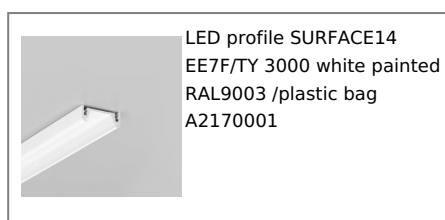
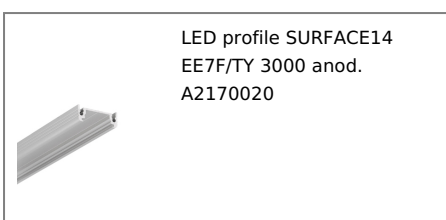
Product packaging dimensions [mm]: 3000 x 24 x 9

Bulk packing [qty]: 40

Master packaging type: Bulk

Product with gross packaging weight [kg]: 19.56

AVAILABLE COLORS



AVAILABLE VARIANTS

1000 mm, 2000 mm, 3000 mm, 4050 mm

Matching elements

TOPMET LIGHT KŁOSOWICZ WIŚNIEWSKI sp. z o.o.

Ostrowska 354 | 61-312 Poznań | POLAND

tel.: +48 61 872 75 00

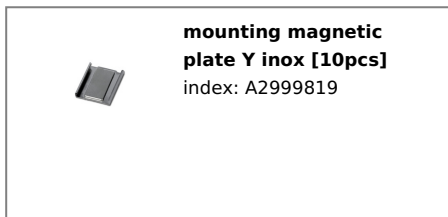
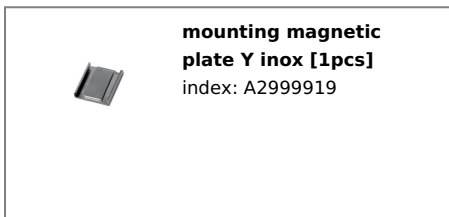
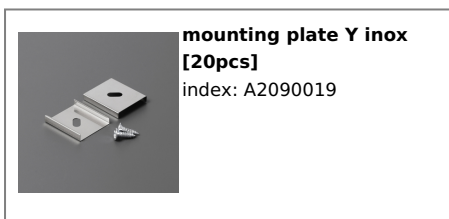
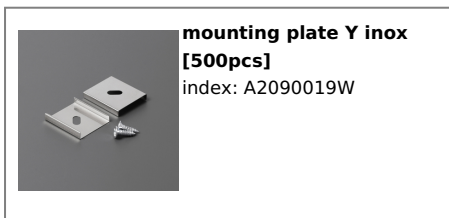
info@topmet.pl

pdf card generation date: 29.06.2026

DIFFUSERS



MOUNTINGS



END CAPS

TOPMET LIGHT KŁOSOWICZ WIŚNIEWSKI sp. z o.o.

Ostrowska 354 | 61-312 Poznań | POLAND

tel.: +48 61 872 75 00

info@topmet.pl

pdf card generation date: 29.06.2026



**end cap SURFACE14
gen2 grey [20pcs]**
index: A2980022



**end cap SURFACE14
gen2 silver [20pcs]**
index: A2980040



**end cap SURFACE14
gen2 with hole grey
[20pcs]**
index: A2970022



**end cap SURFACE14
gen2 with hole silver
[20pcs]**
index: A2970040

CONNECTORS



**connector T 180deg
/plastic bag [200pcs]**
index: C6990000W