

LED PROFILE SURFACE14 EE7F/TY 3000 ANOD.








Surface

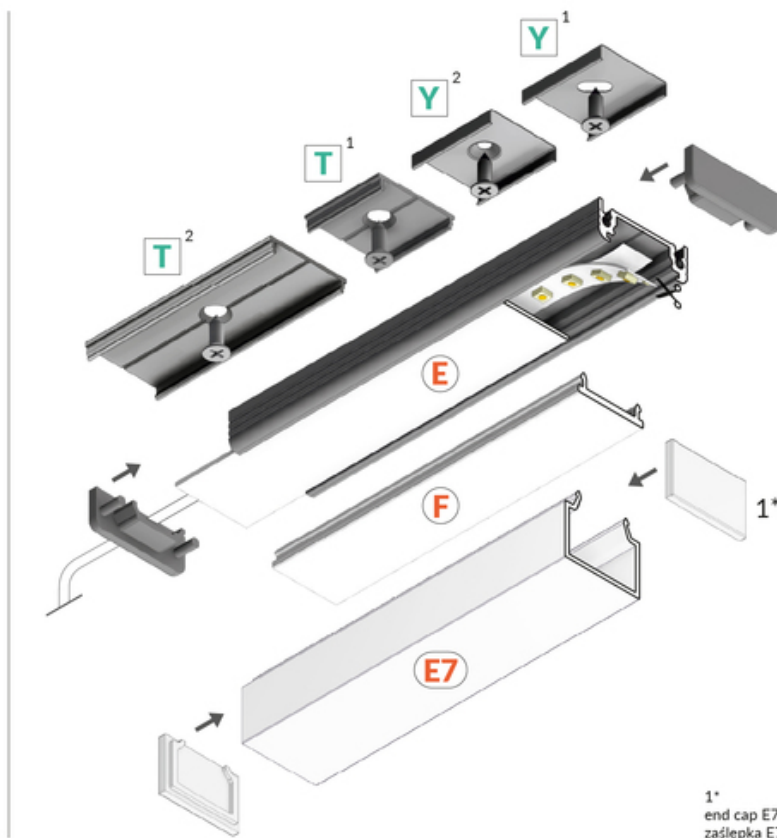
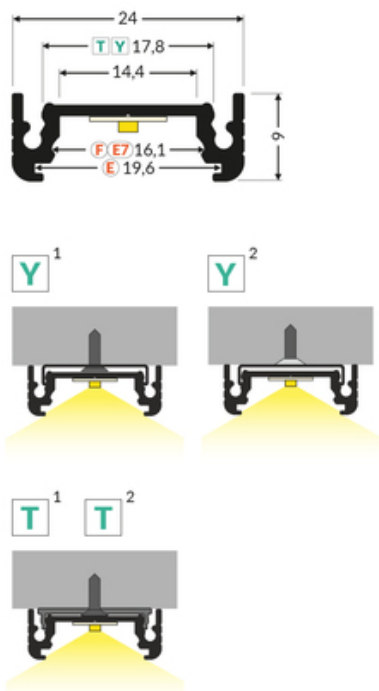


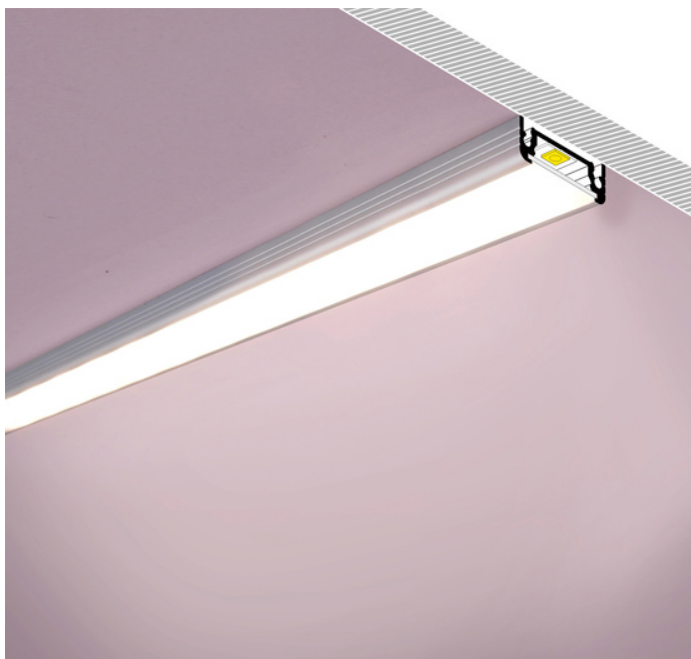
Furniture



max 14 mm

	<ul style="list-style-type: none"> • hidden mounting • many system accessories available 	<p> CE</p> <p> EU industrial designs</p> <p> Made in Poland</p>	 <p>Buy product</p>
---	--	--	--



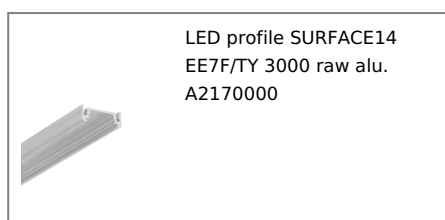
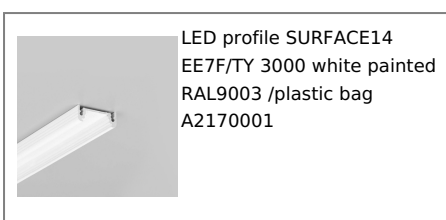


Basic Informations

EAN: 5901597252153
Index: A2170020
Material: aluminium
Color: anodized
Length [mm]: 3000
Weight [kg]: 0.489
Net weight [kg]: 0.012
Country of origin: PL

Measurement unit: qty
Product packaging dimensions [mm]: 3000 x 24 x 9
Bulk packing [qty]: 40
Master packaging type: Bulk
Product with gross packaging weight [kg]: 19.56

AVAILABLE COLORS



AVAILABLE VARIANTS

1000 mm, 2000 mm, 3000 mm, 4050 mm

Matching elements

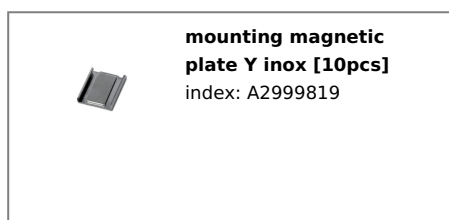
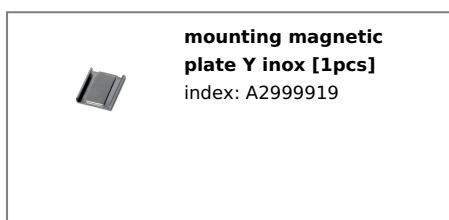
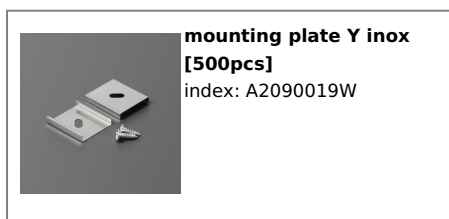
TOPMET LIGHT KŁOSOWICZ WIŚNIEWSKI sp. z o.o.
Ostrowska 354 | 61-312 Poznań | POLAND
tel.: +48 61 872 75 00
info@topmet.pl

pdf card generation date: 30.06.2026

DIFFUSERS



MOUNTINGS



END CAPS

TOPMET LIGHT KŁOSOWICZ WIŚNIEWSKI sp. z o.o.

Ostrowska 354 | 61-312 Poznań | POLAND

tel.: +48 61 872 75 00

info@topmet.pl

pdf card generation date: 30.06.2026



**end cap SURFACE14
gen2 grey [20pcs]**
index: A2980022



**end cap SURFACE14
gen2 silver [20pcs]**
index: A2980040



**end cap SURFACE14
gen2 with hole grey
[20pcs]**
index: A2970022



**end cap SURFACE14
gen2 with hole silver
[20pcs]**
index: A2970040

CONNECTORS



**connector SURFACE14
90deg anod. /plastic bag**
index: A2990020



**connector T 180deg
/plastic bag**
index: C6990000



**connector T 180deg
/plastic bag [200pcs]**
index: C6990000W