

# LED PROFILE UNI12 BCD/U 4050 WHITE PAINTED RAL9003 /PLASTIC BAG



Surface



Recessed



Furniture



CE



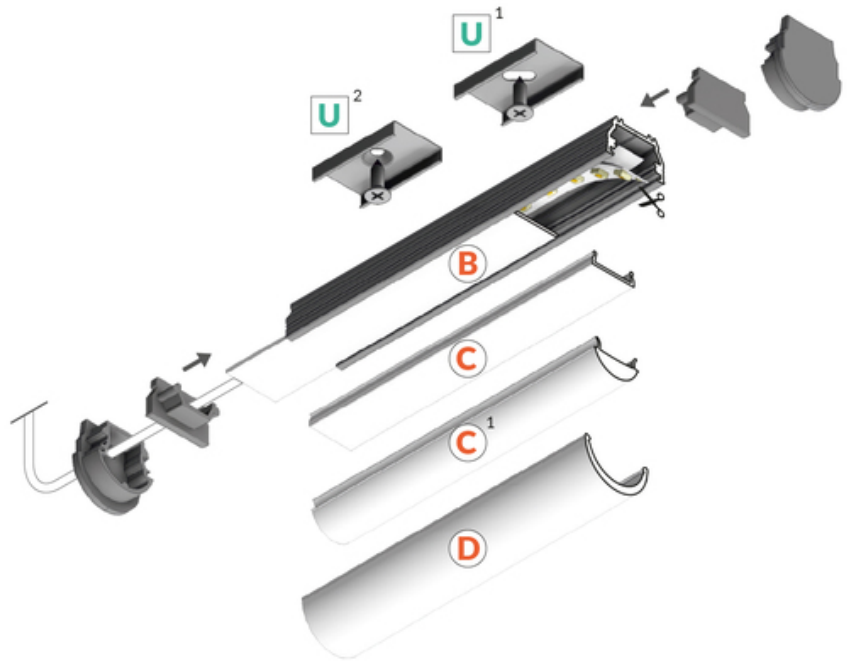
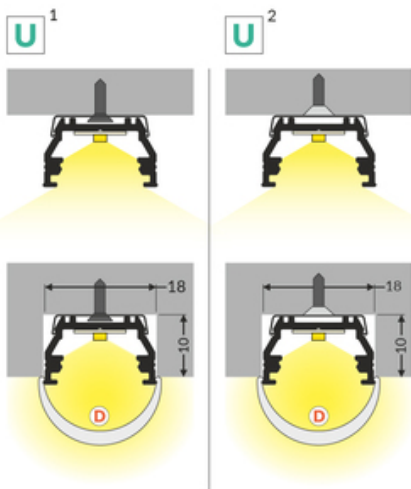
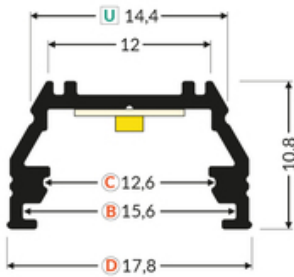
EU industrial designs



Made in Poland



Buy product



**TOPMET LIGHT KŁOSOWICZ WIŚNIEWSKI sp. z o.o.**

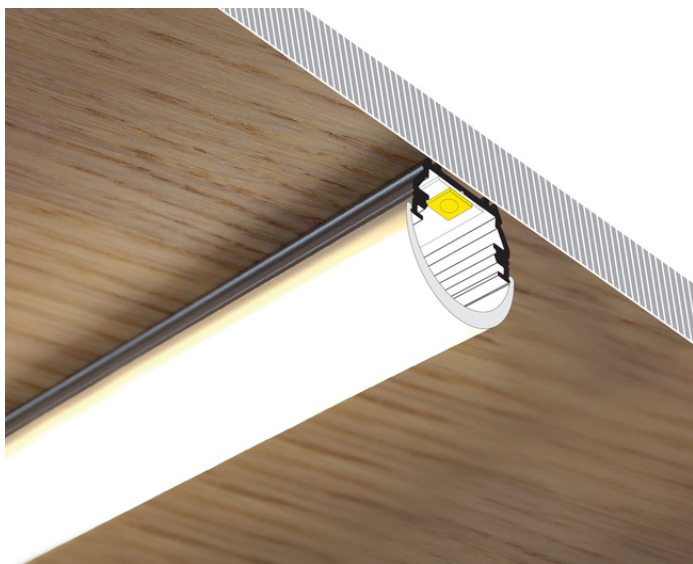
Ostrowska 354 | 61-312 Poznań | POLAND

tel.: +48 61 872 75 00

info@topmet.pl

pdf card generation date: 29.06.2026



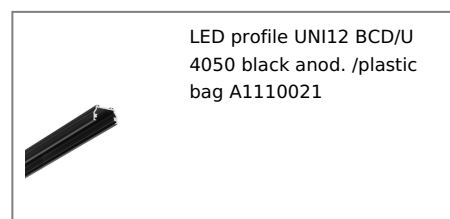
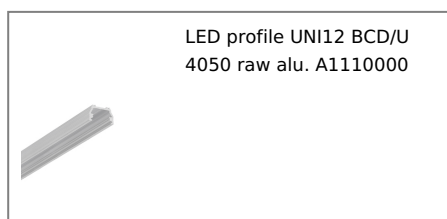
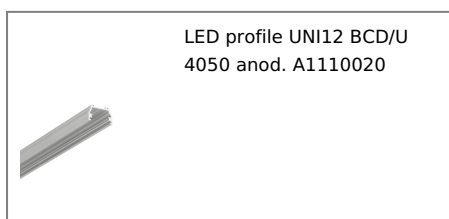


## Basic Informations

EAN: 5901597252610  
Index: A1110001  
Material: aluminium  
Color: white painted  
Length [mm]: 4050  
Weight [kg]: 0.586  
Net weight [kg]: 0.008  
Country of origin: PL

Measurement unit: qty  
Product packaging dimensions [mm]: 4050 x 17,8 x 10,8  
Bulk packing [qty]: 10  
Master packaging type: Bulk  
Product with gross packaging weight [kg]: 5.86

## AVAILABLE COLORS



## AVAILABLE VARIANTS

1000 mm, 2000 mm, 3000 mm, 4050 mm

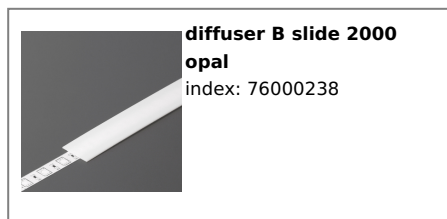
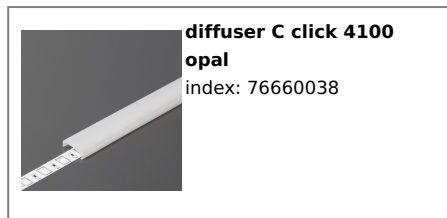
## Matching elements

## DIFFUSERS

**TOPMET LIGHT KŁOSOWICZ WIŚNIEWSKI sp. z o.o.**  
Ostrowska 354 | 61-312 Poznań | POLAND  
tel.: +48 61 872 75 00  
info@topmet.pl

pdf card generation date: 29.06.2026

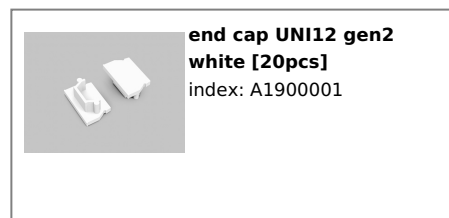
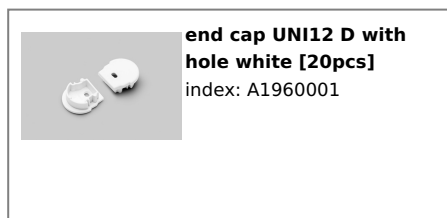
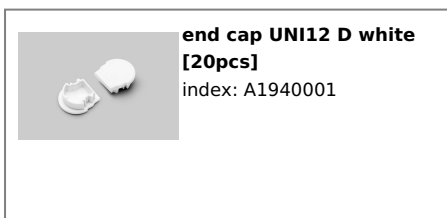




## MOUNTINGS



## END CAPS





**end cap UNI12 gen2 with  
hole white [20pcs]**  
index: A1890001

---

## CONNECTORS



**connector UNI12 90deg  
white painted /plastic  
bag**  
index: A1910001