

LED PROFILE UNI12 BCD/U 4050 RAW ALU.



Furniture



Surface



Recessed



EU industrial designs



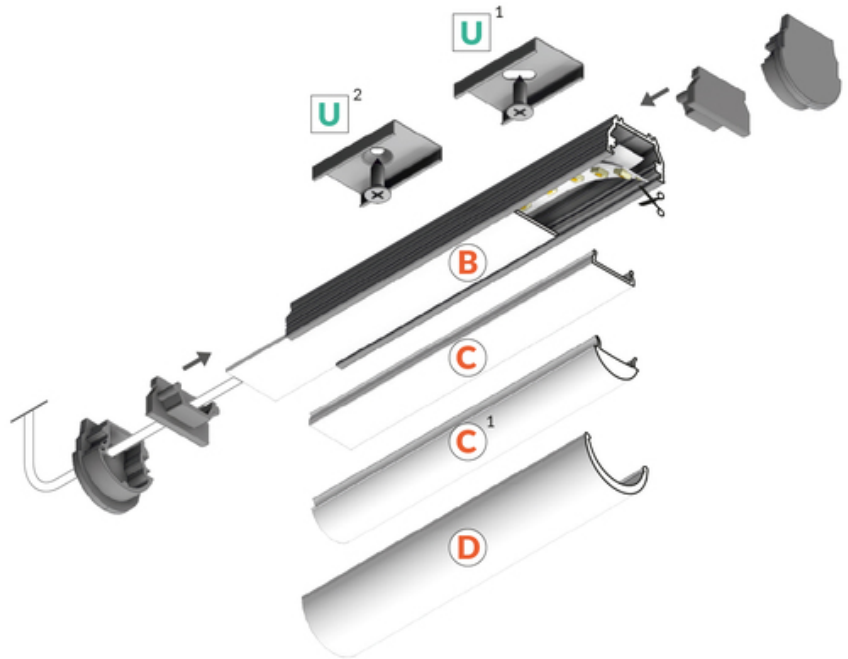
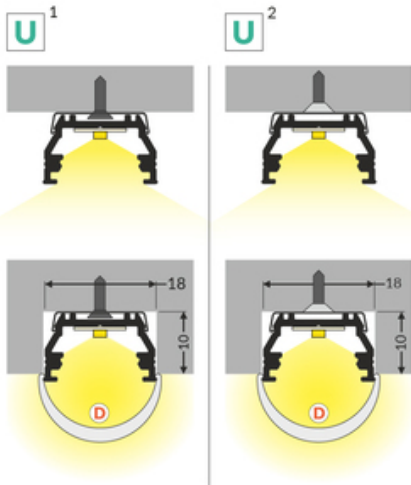
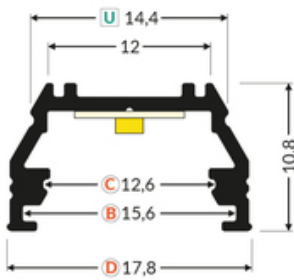
CE



Made in Poland



Buy product



TOPMET LIGHT KŁOSOWICZ WIŚNIEWSKI sp. z o.o.

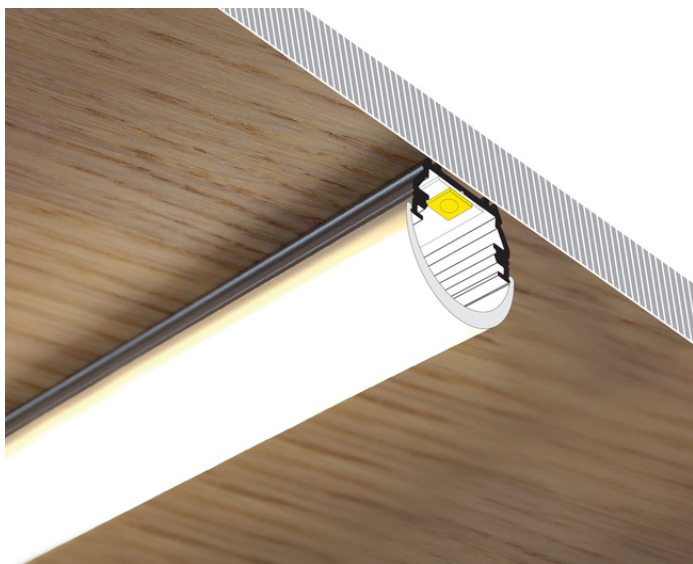
Ostrowska 354 | 61-312 Poznań | POLAND

tel.: +48 61 872 75 00

info@topmet.pl

pdf card generation date: 30.06.2026








Basic Informations

<p>EAN: 5901597252566 Index: A1110000 Material: aluminium Color: raw aluminium Length [mm]: 4050 Weight [kg]: 0.527 Net weight [kg]: 0.029 Country of origin: PL</p>	<p>Measurement unit: qty Product packaging dimensions [mm]: 4050 x 17,8 x 10,8 Bulk packing [qty]: 40 Master packaging type: Bulk Product with gross packaging weight [kg]: 21.08</p>
---	---

AVAILABLE COLORS

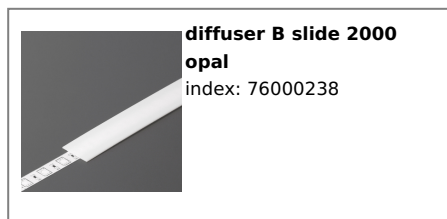
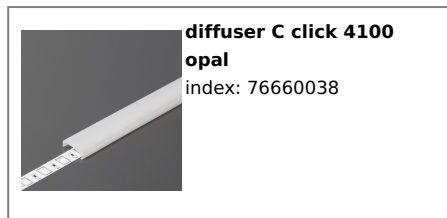
 <p>LED profile UNI12 BCD/U 4050 anod. A1110020</p>	 <p>LED profile UNI12 BCD/U 4050 white painted RAL9003 /plastic bag A1110001</p>	 <p>LED profile UNI12 BCD/U 4050 black anod. /plastic bag A1110021</p>
--	---	---

AVAILABLE VARIANTS

1000 mm, 2000 mm, 3000 mm, 4050 mm

Matching elements

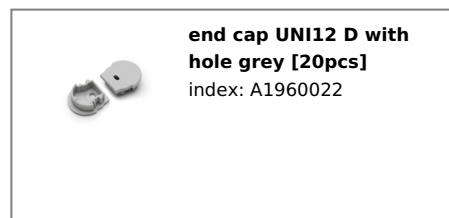
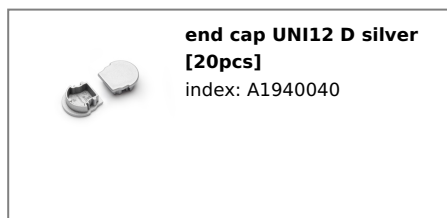
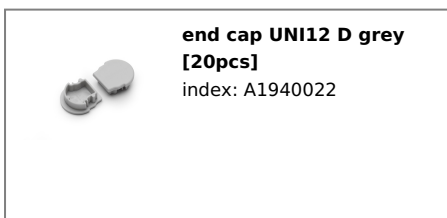
DIFFUSERS



MOUNTINGS



END CAPS





**end cap UNI12 D with
hole silver [20pcs]**
index: A1960040



**end cap UNI12 gen2
grey [20pcs]**
index: A1900022



**end cap UNI12 gen2
silver [20pcs]**
index: A1900040



**end cap UNI12 gen2 with
hole grey [20pcs]**
index: A1890022



**end cap UNI12 gen2 with
hole silver [20pcs]**
index: A1890040