

LED PROFILE UNI12 BCD/U 4050 ANOD.



Surface



Recessed



Furniture



CE



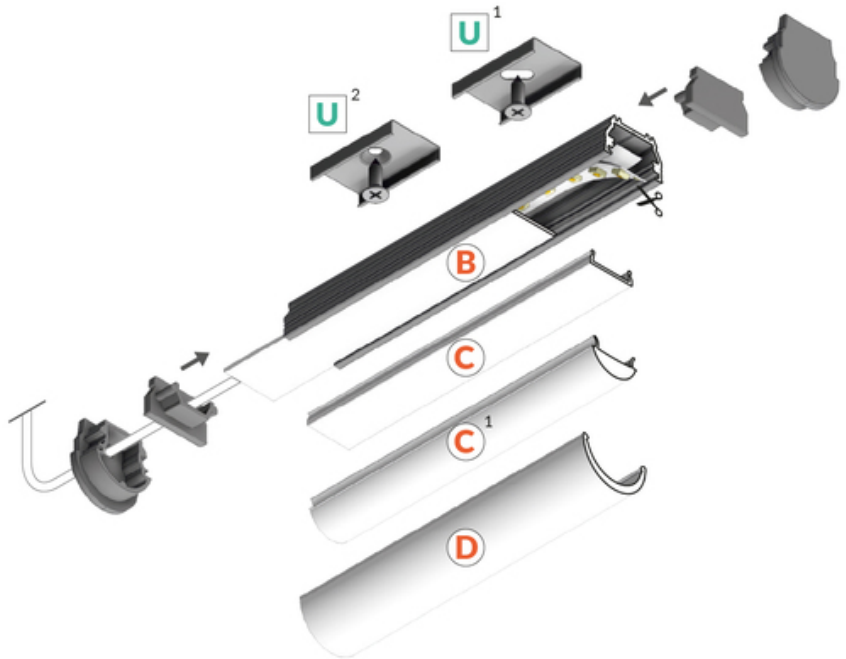
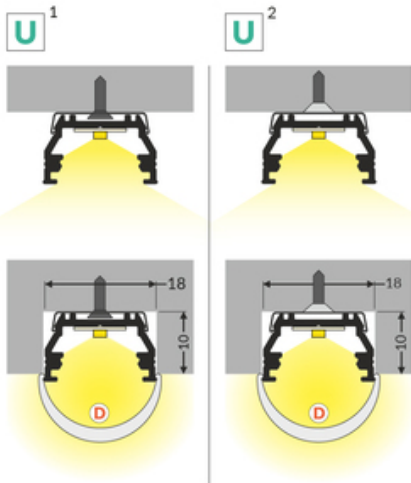
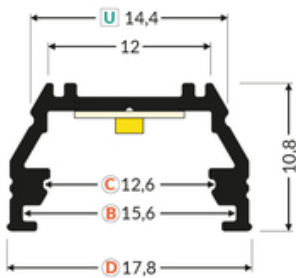
EU industrial designs



Made in Poland



Buy product



TOPMET LIGHT KŁOSOWICZ WIŚNIEWSKI sp. z o.o.

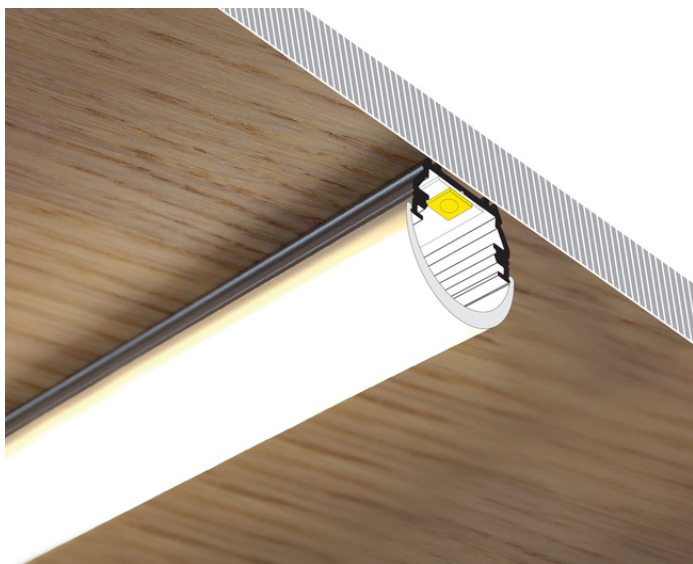
Ostrowska 354 | 61-312 Poznań | POLAND

tel.: +48 61 872 75 00

info@topmet.pl

pdf card generation date: 27.06.2026








Basic Informations

EAN: 5901597252597	Measurement unit: qty
Index: A1110020	Product packaging dimensions [mm]: 4050 x 17,8 x 10,8
Material: aluminium	Bulk packing [qty]: 40
Color: anodized	Master packaging type: Bulk
Lenght [mm]: 4050	Product with gross packaging weight [kg]: 21.08
Weigh [kg]: 0.527	
Net weight [kg]: 0.029	
Country of origin: PL	

AVAILABLE COLORS

 <p>LED profile UNI12 BCD/U 4050 white painted RAL9003 /plastic bag A1110001</p>	 <p>LED profile UNI12 BCD/U 4050 black anod. /plastic bag A1110021</p>	 <p>LED profile UNI12 BCD/U 4050 raw alu. A1110000</p>
---	---	---

AVAILABLE VARIANTS

1000 mm, 2000 mm, 3000 mm, 4050 mm

Matching elements

DIFFUSERS

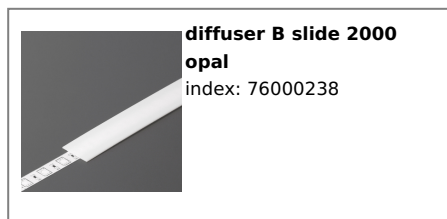
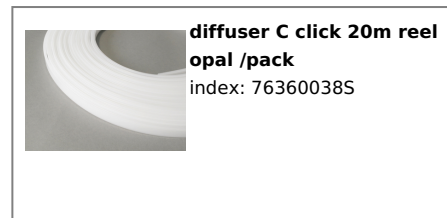
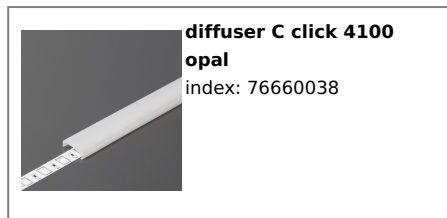
TOPMET LIGHT KŁOSOWICZ WIŚNIEWSKI sp. z o.o.

Ostrowska 354 | 61-312 Poznań | POLAND

tel.: +48 61 872 75 00

info@topmet.pl

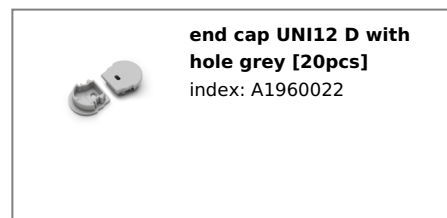
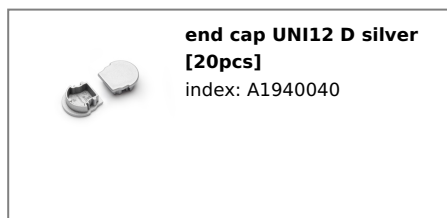
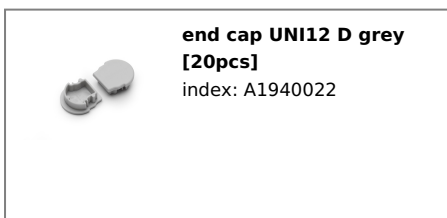
pdf card generation date: 27.06.2026



MOUNTINGS



END CAPS



TOPMET LIGHT KŁOSOWICZ WIŚNIEWSKI sp. z o.o.

Ostrowska 354 | 61-312 Poznań | POLAND

tel.: +48 61 872 75 00

info@topmet.pl

pdf card generation date: 27.06.2026



**end cap UNI12 D with
hole silver [20pcs]**
index: A1960040



**end cap UNI12 gen2
grey [20pcs]**
index: A1900022



**end cap UNI12 gen2
silver [20pcs]**
index: A1900040



**end cap UNI12 gen2 with
hole grey [20pcs]**
index: A1890022



**end cap UNI12 gen2 with
hole silver [20pcs]**
index: A1890040

CONNECTORS



**connector UNI12 90deg
anod. /plastic bag**
index: A1910020