

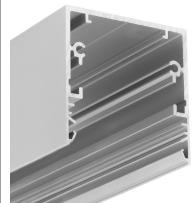
LED PROFILE PHIL53 C10 3000 ANOD. /PLASTIC BAG



Surface



Lighting



- profile for creating LED luminaires
- perfect as main lighting
- various installation options
- larger sizes
- 3 types of covers available with different light distributions
- enables hiding the power supply inside the profile



EU industrial designs



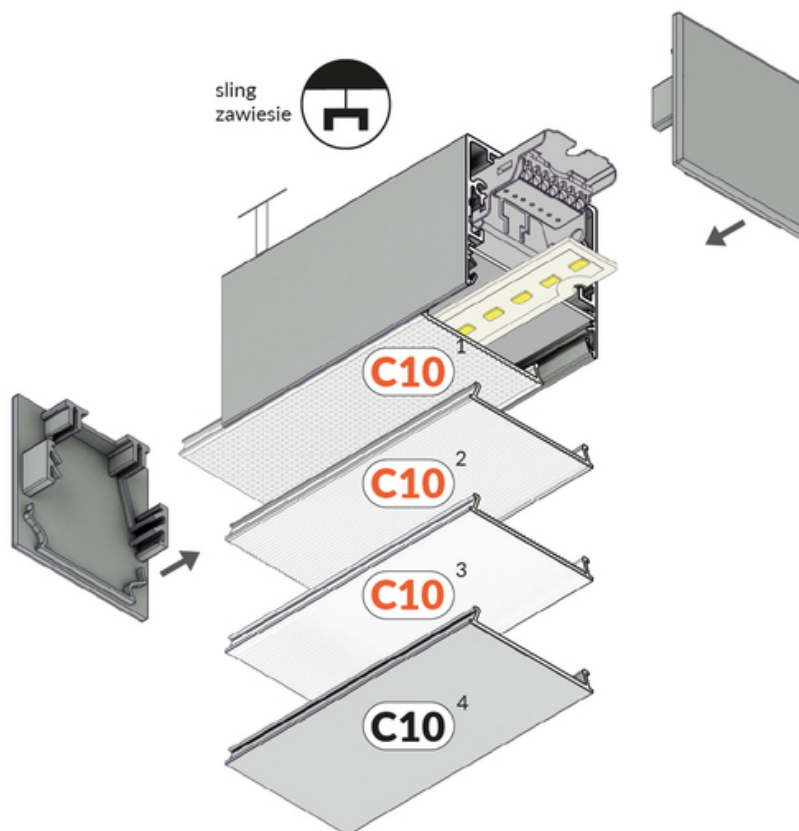
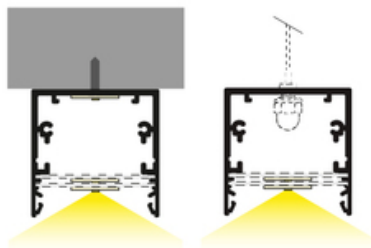
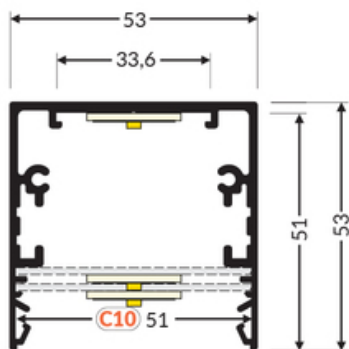
CE



Made in Poland



Buy product



TOPMET LIGHT KŁOSOWICZ WIŚNIEWSKI sp. z o.o.

Ostrowska 354 | 61-312 Poznań | POLAND

tel.: +48 61 872 75 00

info@topmet.pl

pdf card generation date: 29.06.2026





Basic Informations

<p>EAN: 5901597254317 Index: 63720020 Material: aluminium Color: anodized Length [mm]: 3000 Weight [kg]: 2.872 Net weight [kg]: 0.024 Country of origin: PL</p>	<p>Measurement unit: qty Product packaging dimensions [mm]: 3000 x 53 x 53 Bulk packing [qty]: 4 Master packaging type: Bulk Product with gross packaging weight [kg]: 11.488</p>
---	---

AVAILABLE COLORS

 <p>LED profile PHIL53 C10 3000 black painted RAL9005 /plastic bag 63720002</p>	 <p>LED profile PHIL53 C10 3000 white painted RAL9003 /plastic bag 63720001</p>	 <p>LED profile PHIL53 C10 3000 raw alu. 63720000</p>
--	--	--

AVAILABLE VARIANTS

1000 mm, 2000 mm, 3000 mm, 4050 mm

Matching elements

DIFFUSERS

 <p>diffuser C10 click 3000 wide index: 63770000</p>	 <p>diffuser C10 click 3000 narrow index: 63790000</p>	 <p>diffuser C10 click 3000 opal index: 63760038</p>
 <p>diffuser C10 click 3000 pro index: P2001116</p>	 <p>diffuser C10 click 3000 basic index: P2001538</p>	

END CAPS



end cap PHIL53 grey
/plastic bag [2pcs]
index: 63640022



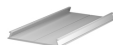
end cap PHIL53 silver
/plastic bag [2pcs]
index: 63640040

OTHER



LED mounting 50 3000
index: 25170000

COMPLEMENTARY PROFILE



cover C10 3000 anod.
index: 63740020



**cover C10 3000 white
painted RAL9003 /plastic
bag**
index: 63740001



**cover C10 3000 black
painted RAL9005 /plastic
bag**
index: 63740002



cover C10 3000 raw alu.
index: 63740000